

# Free Wheelchair Mission

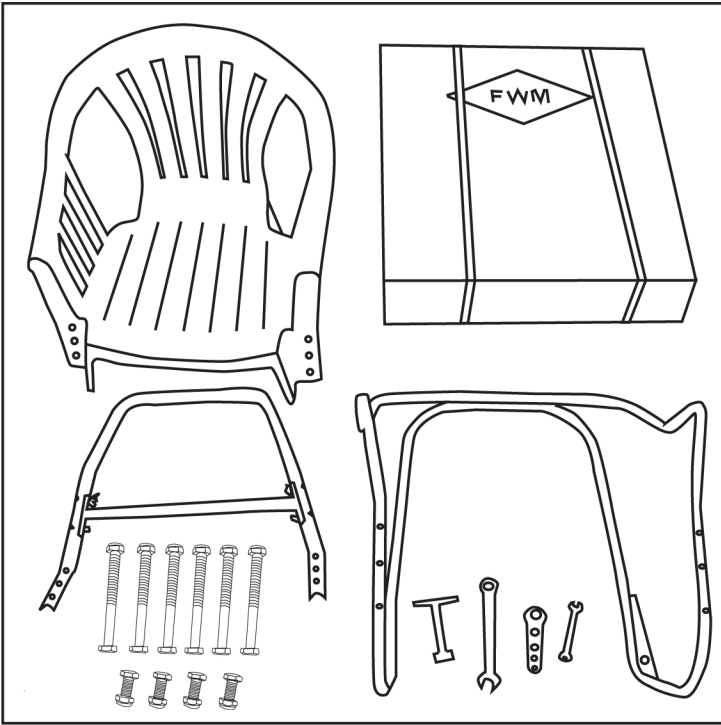
## Assembly Instructions

January 10, 2009

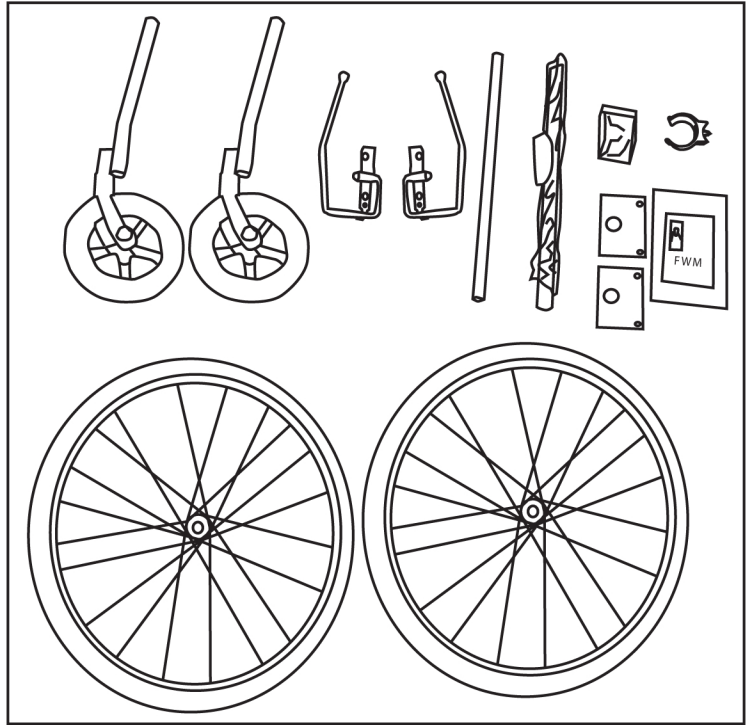
Free Wheelchair Mission  
9341 Irvine Boulevard  
Irvine, CA 92618

[www.freewheelchairmission.org](http://www.freewheelchairmission.org)

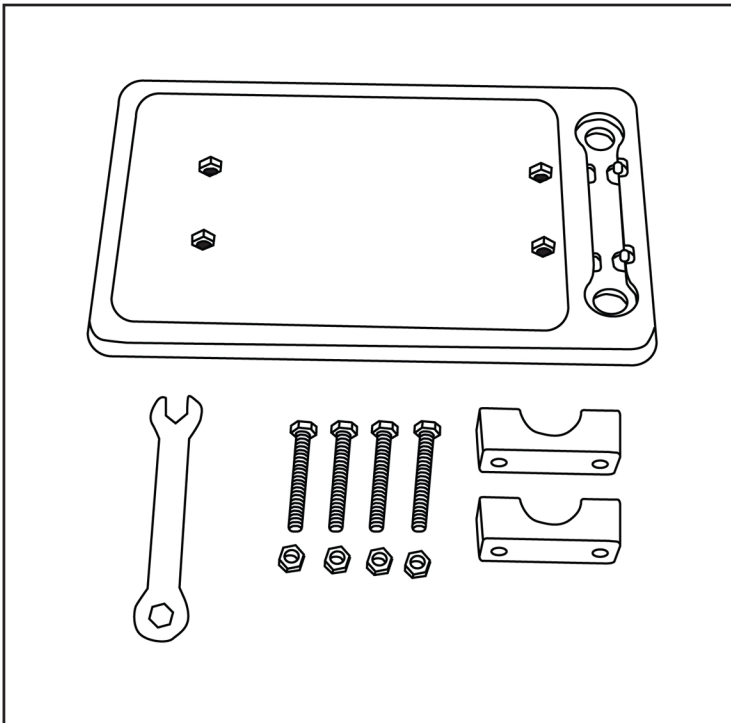
1



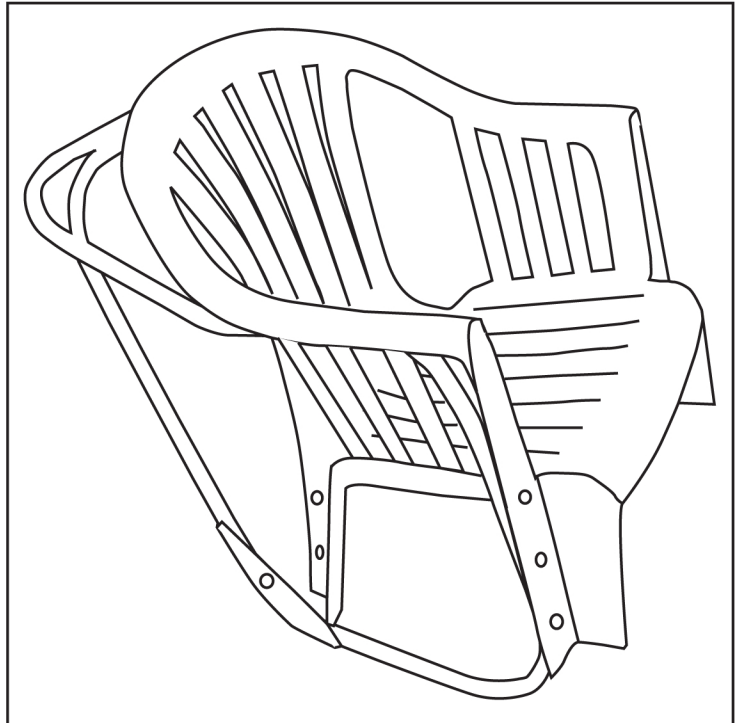
2



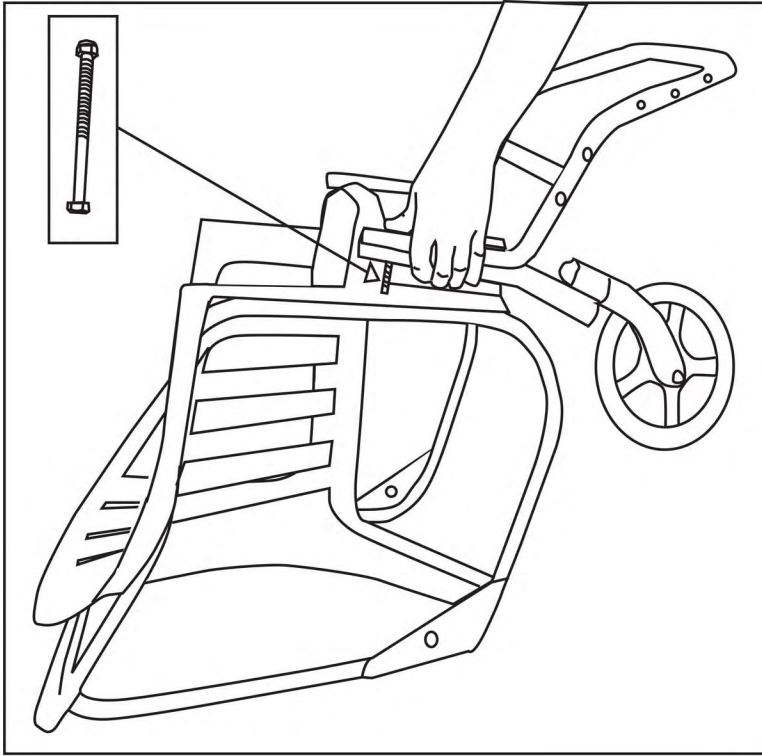
3



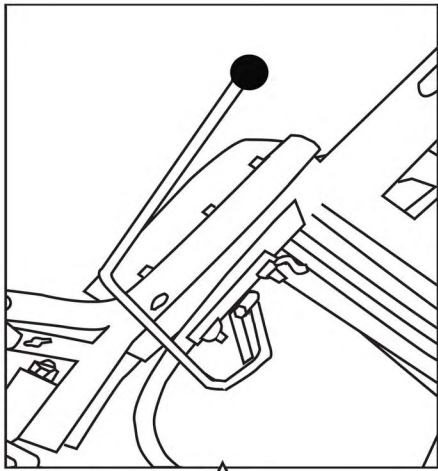
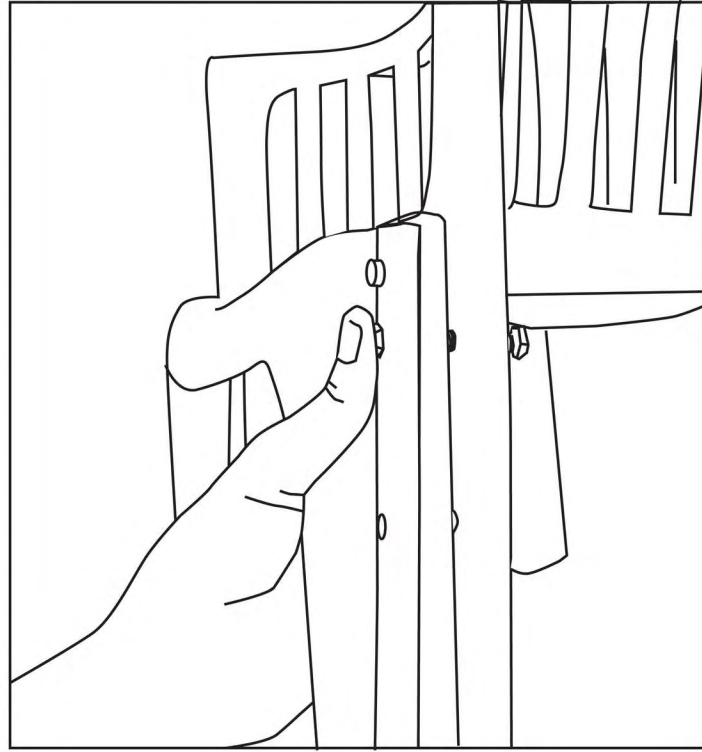
4



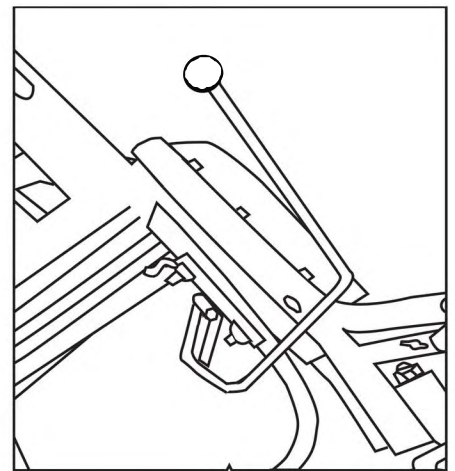
5



6

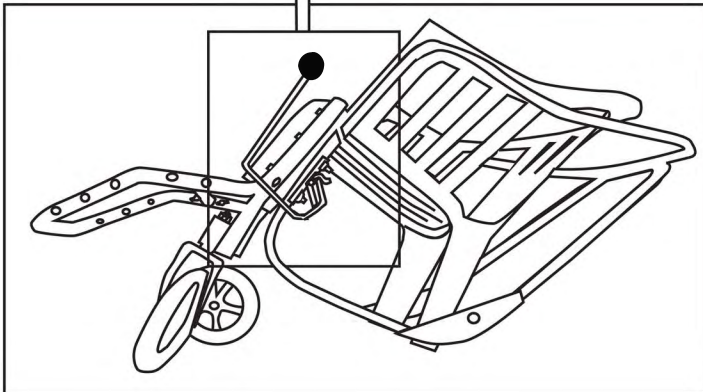


**L**

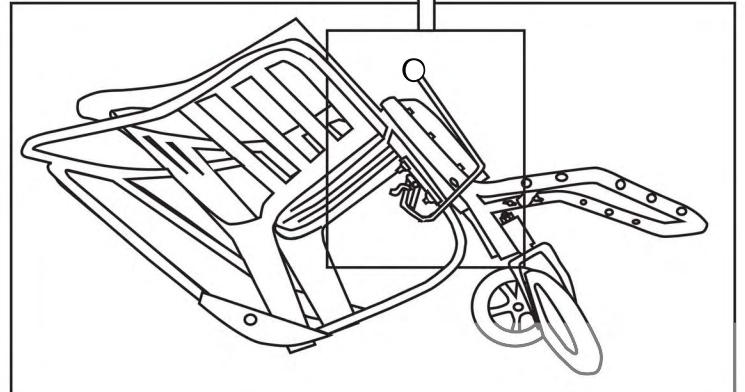


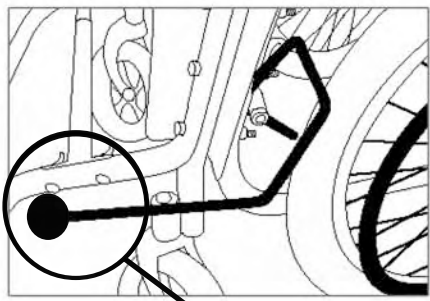
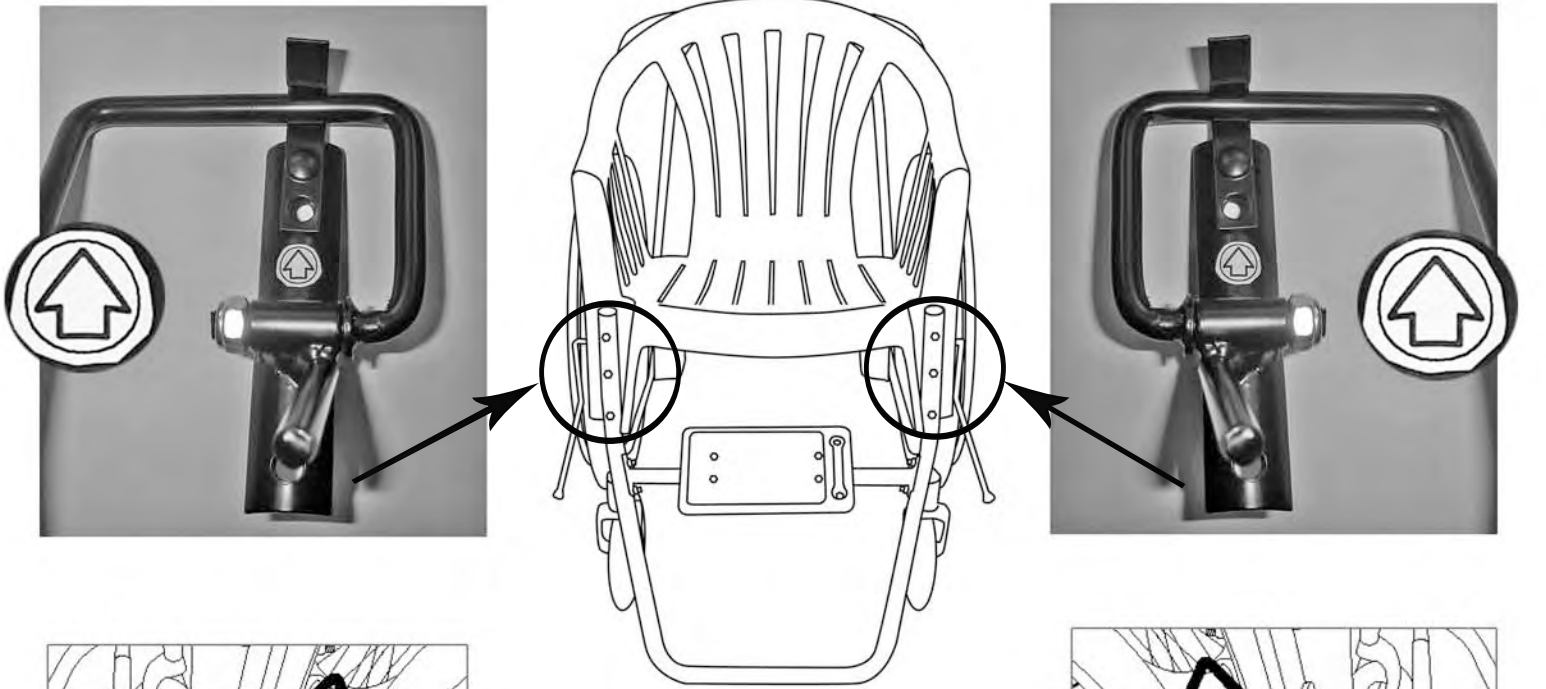
**R**

7

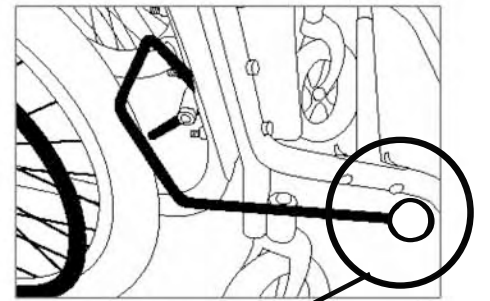
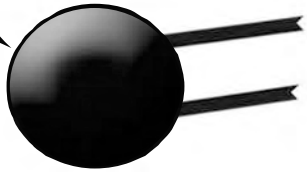


8





**L**



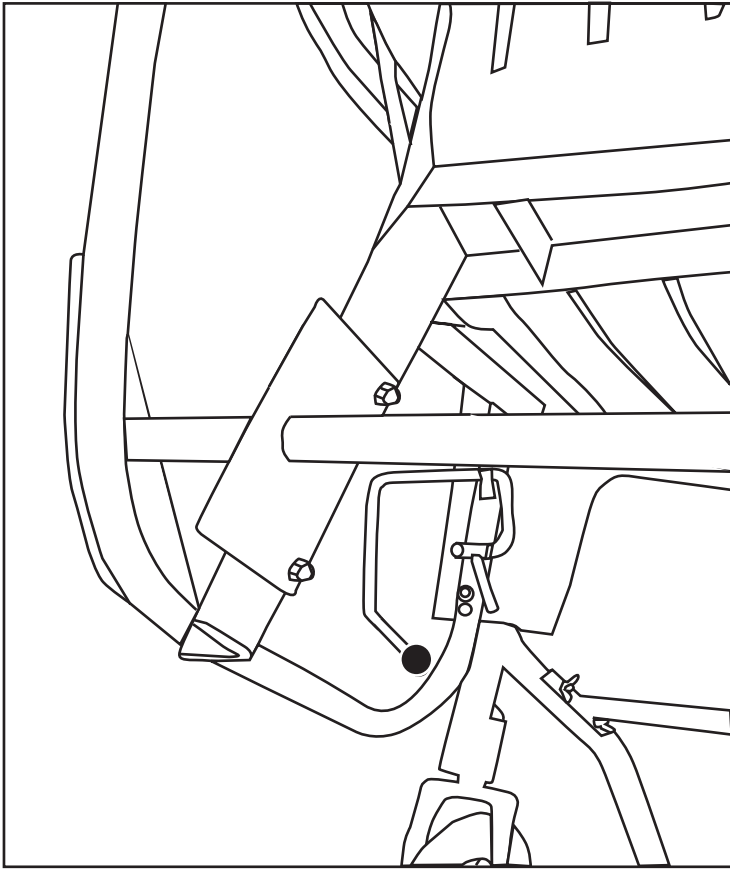
**R**



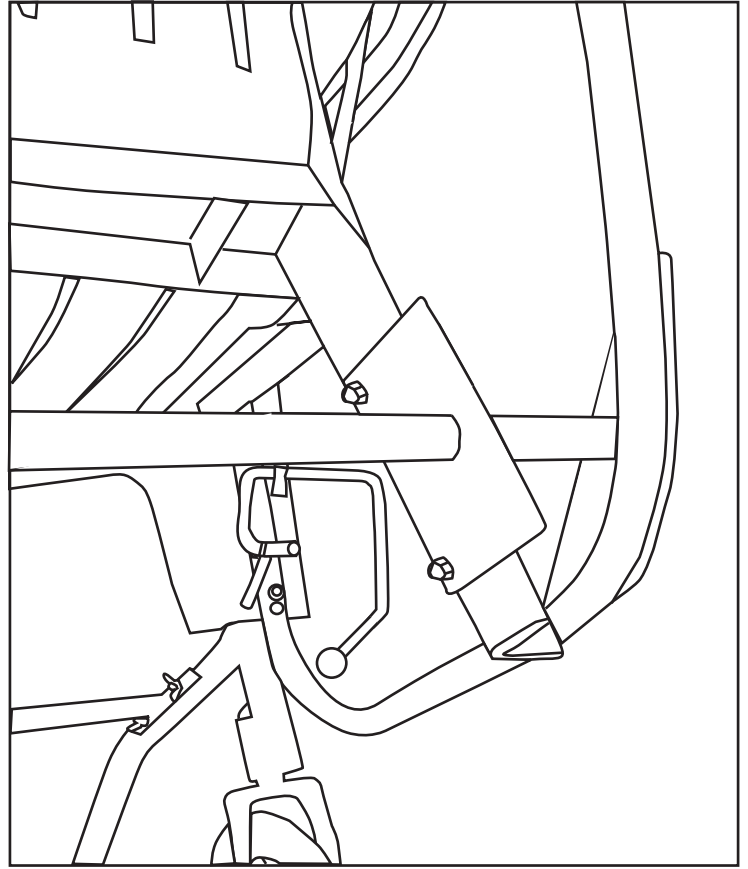
**2a**



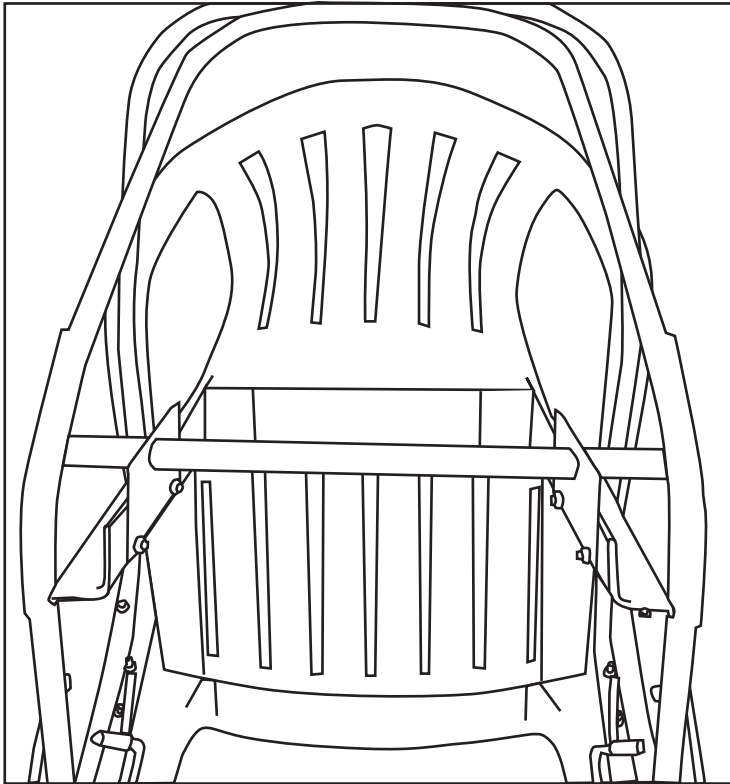
9



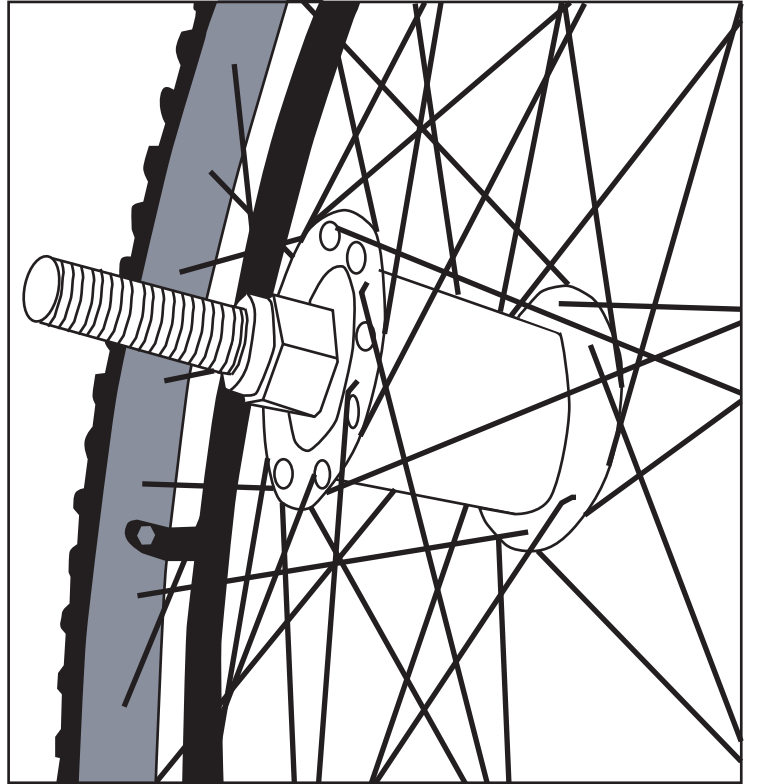
10



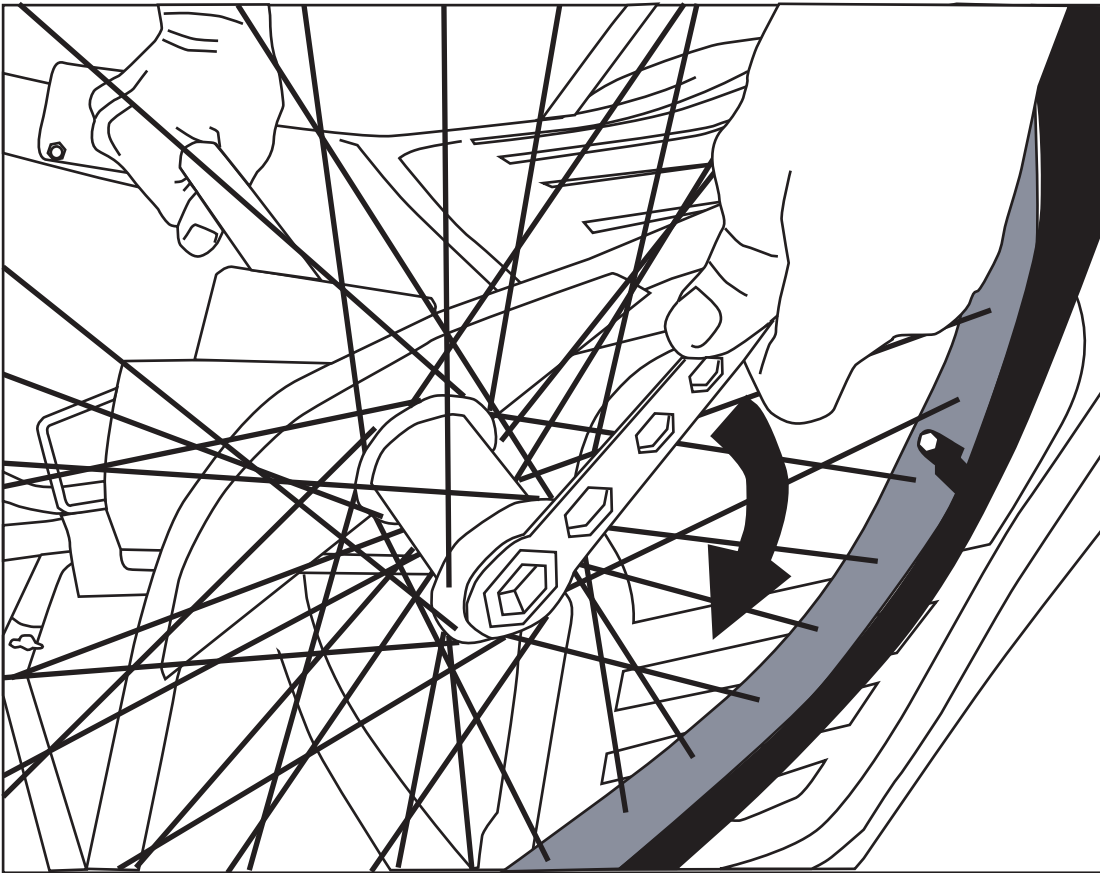
11



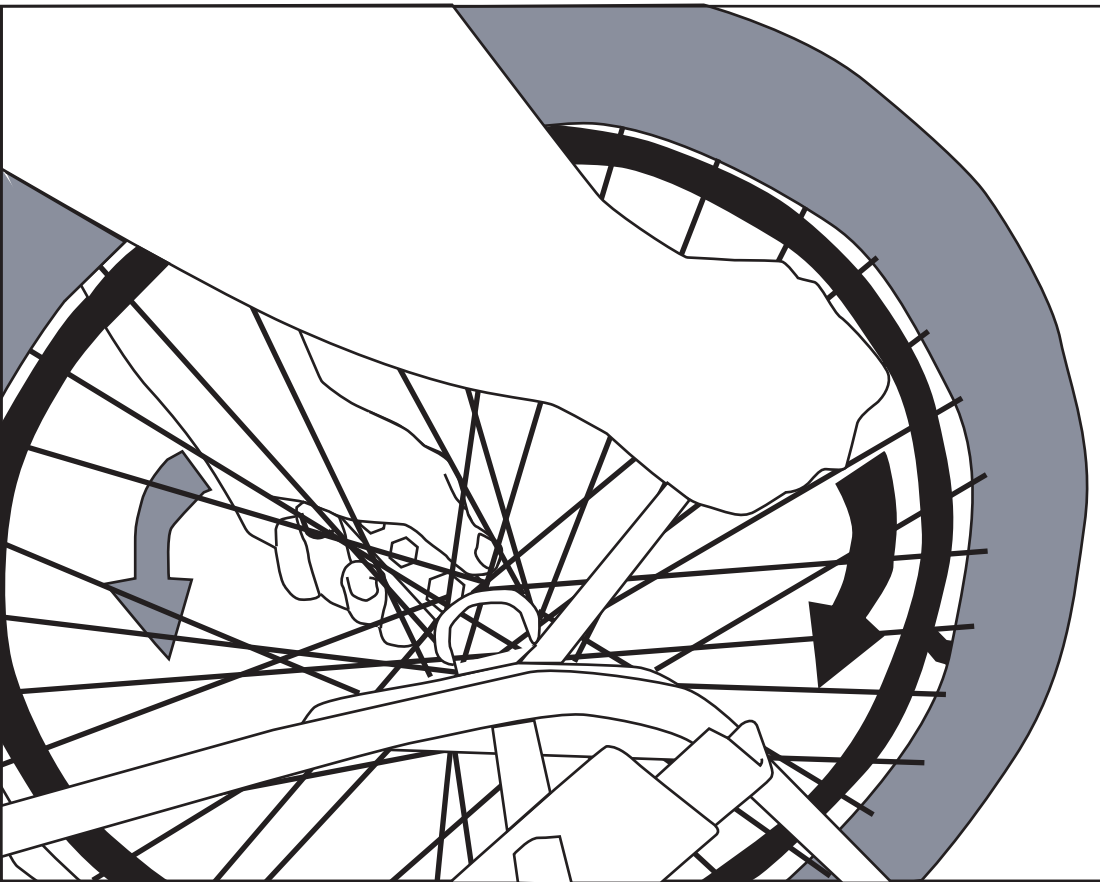
12



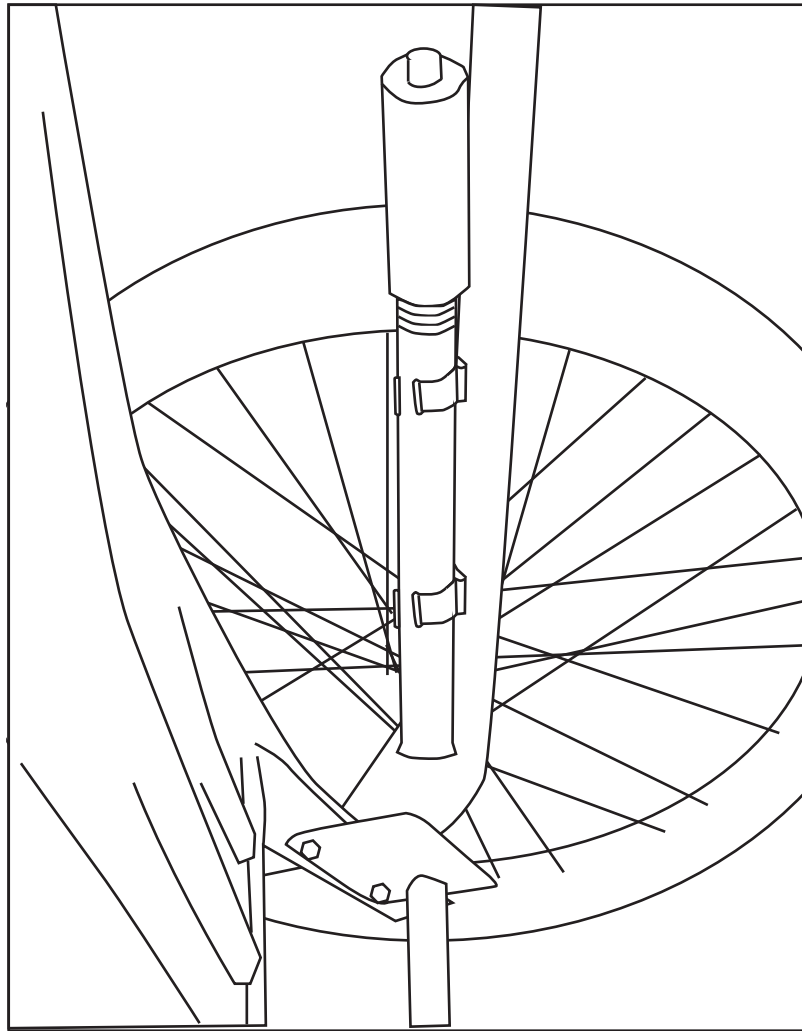
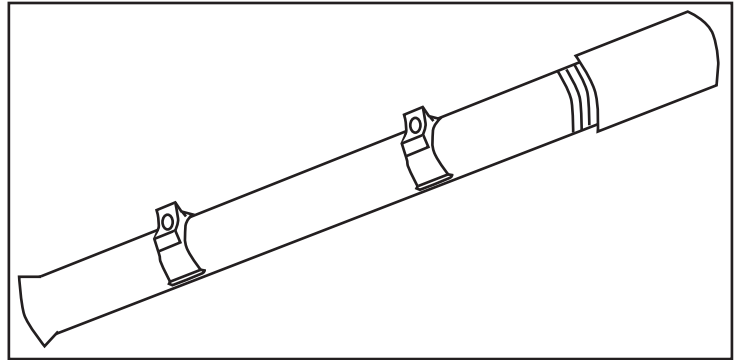
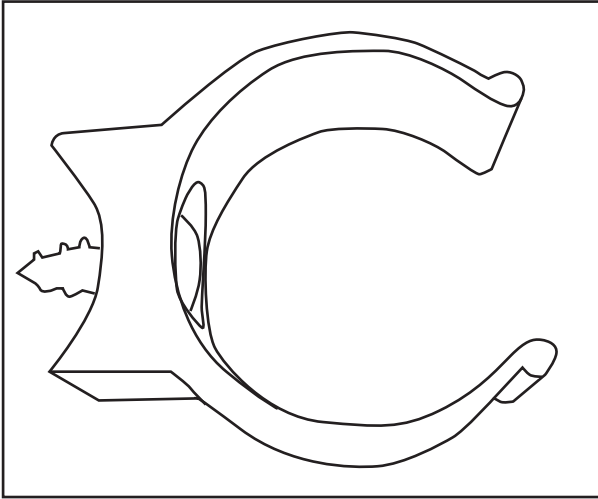
13

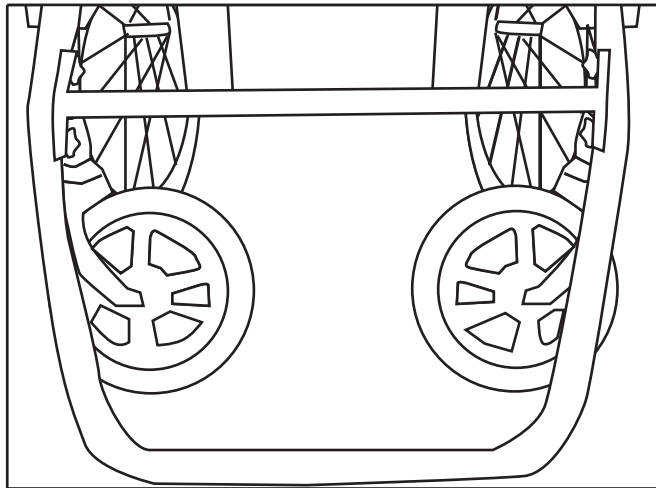
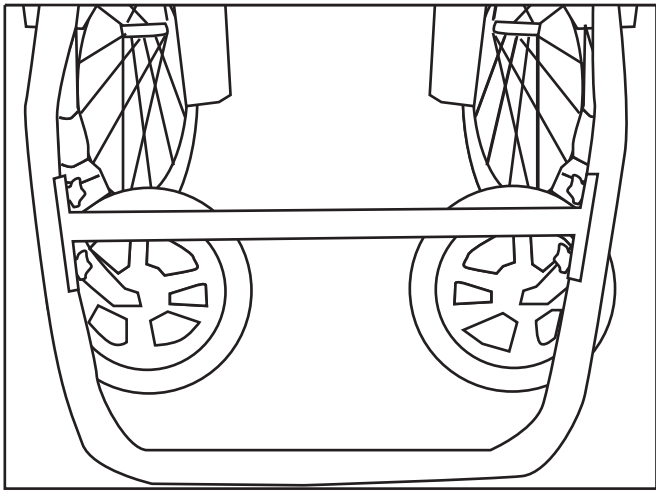
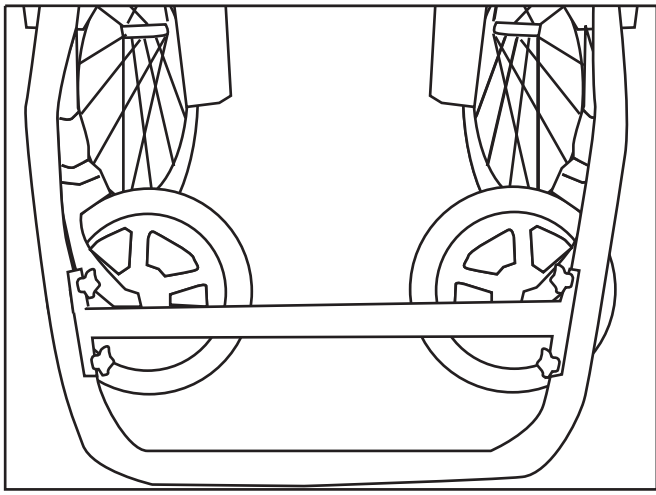


14

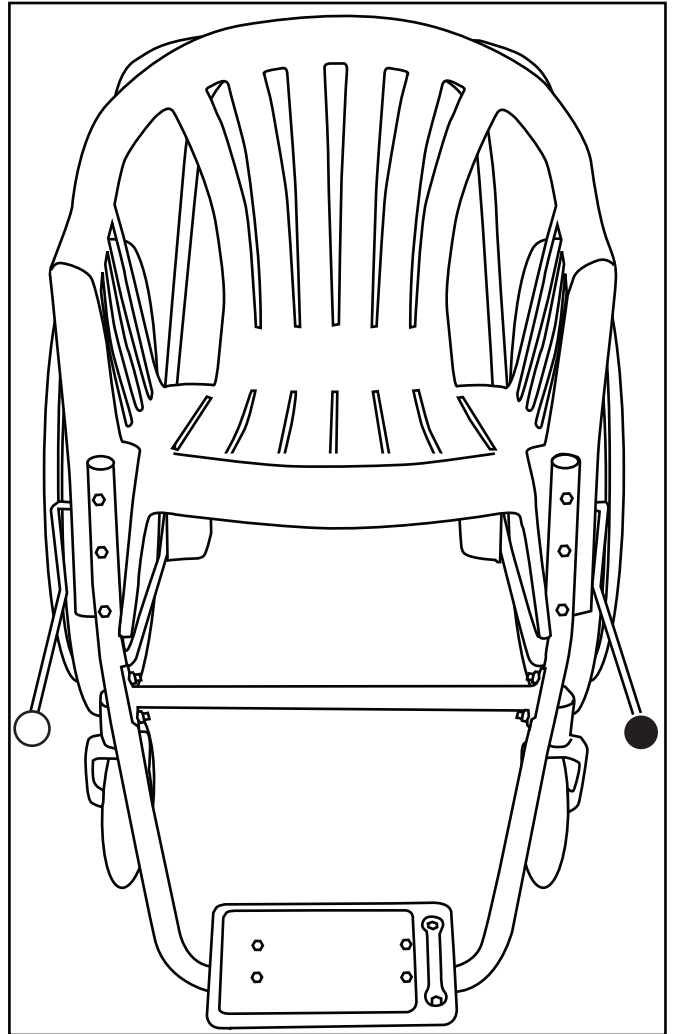
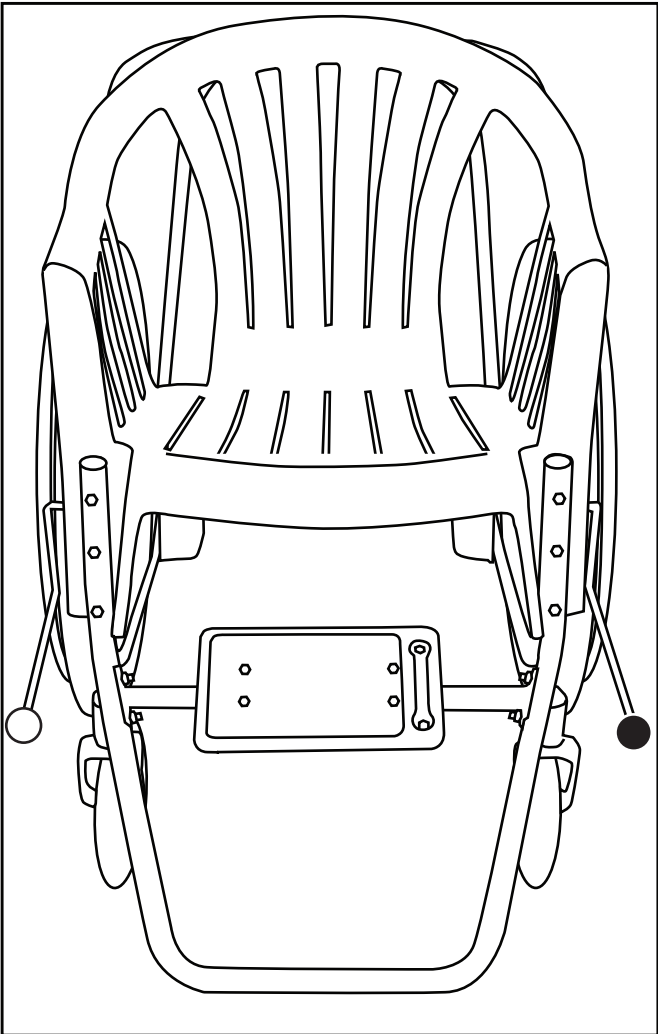
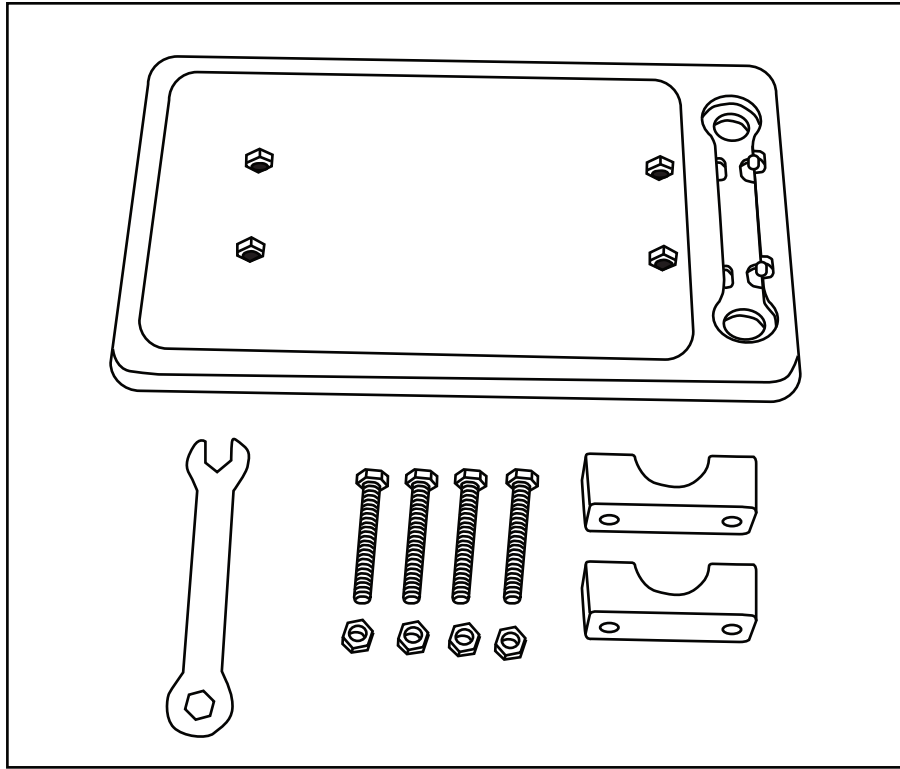


35 psi = 2.4 bar = 2.5 kg/cm<sup>2</sup>

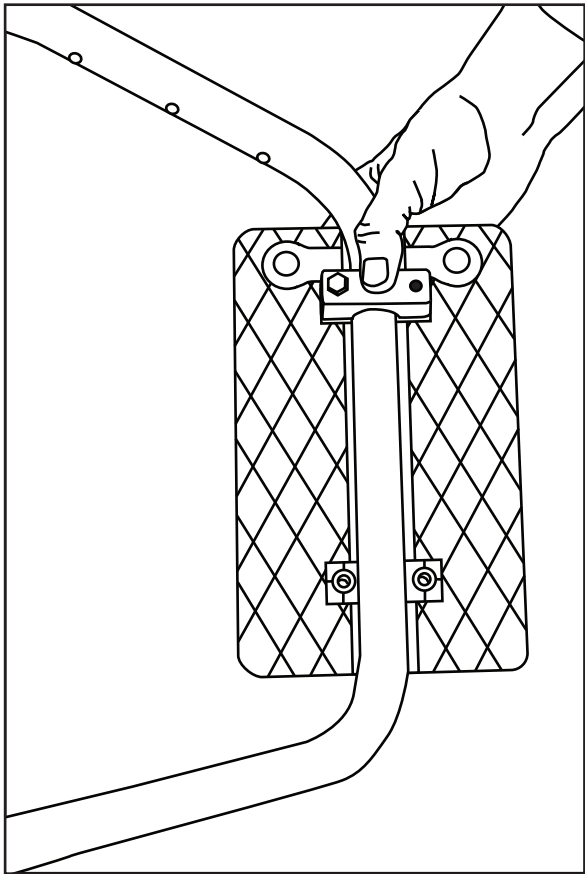




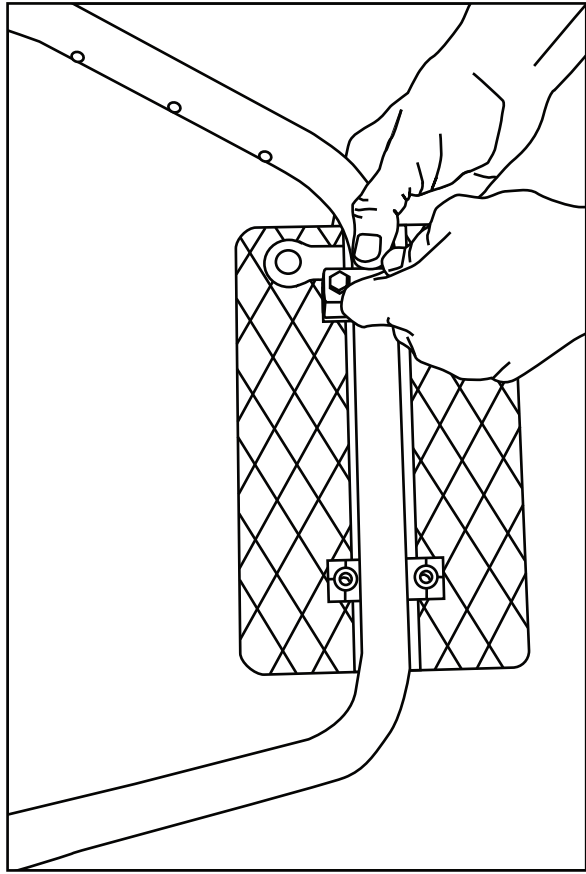




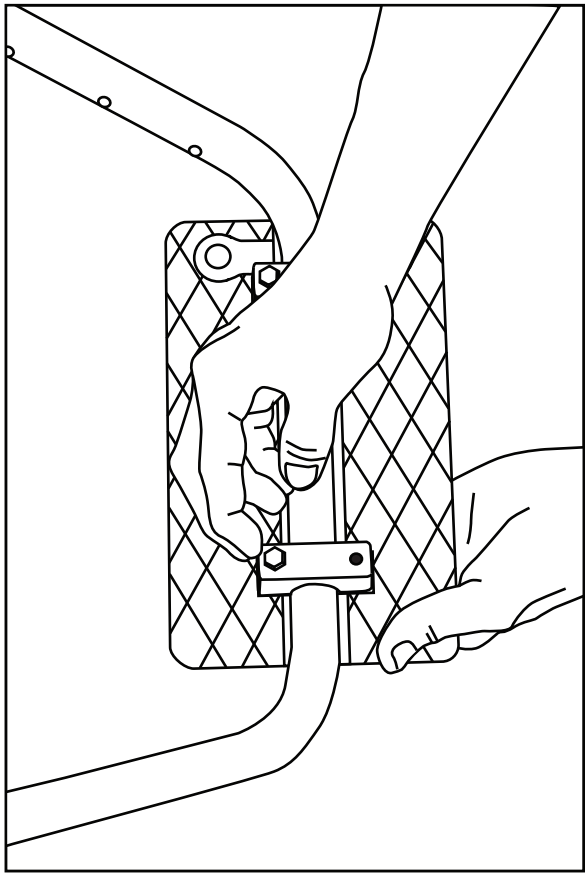
1



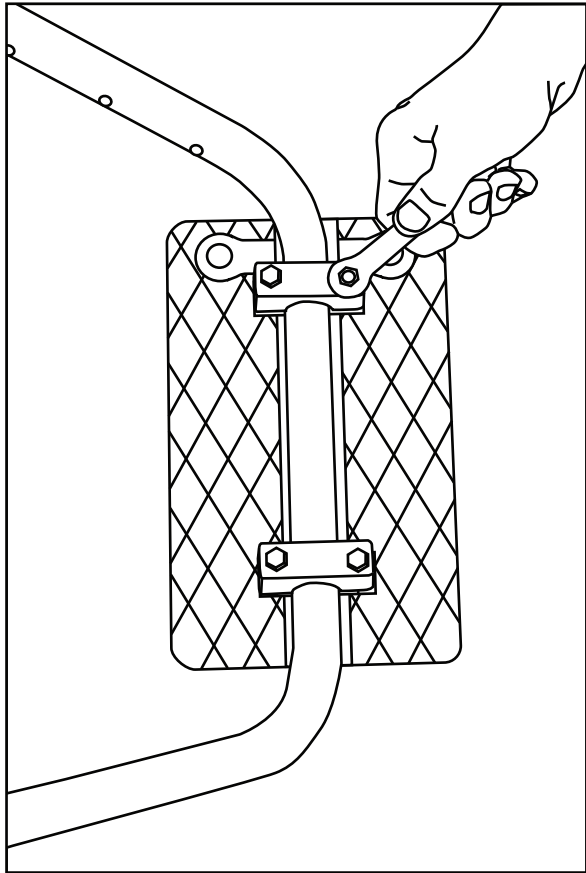
2



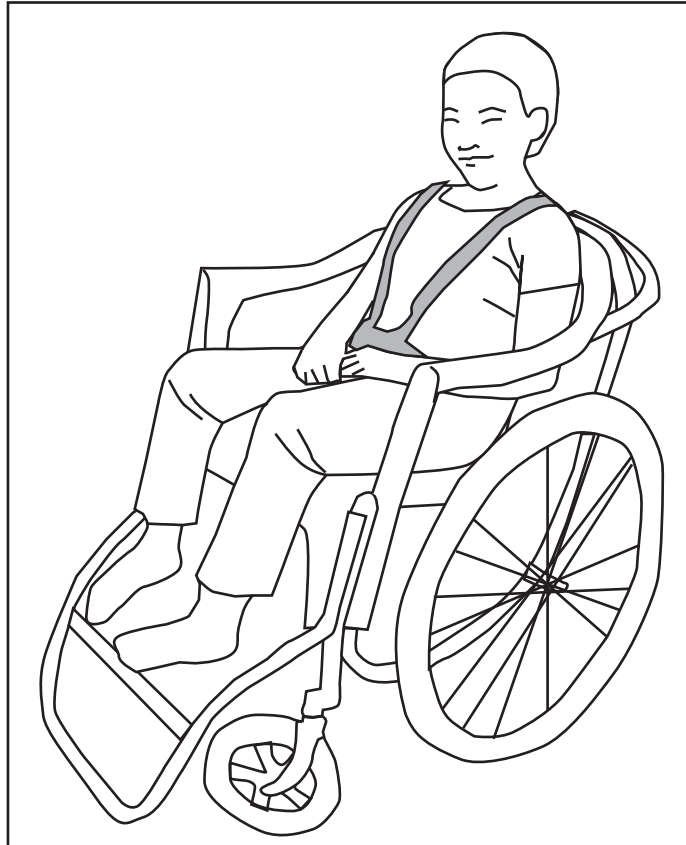
3



4



# Free Wheelchair Mission Harness Attachment Instructions



01/10/2009

Free Wheelchair Mission  
9341 Irvine Boulevard  
Irvine, CA 92618

[www.freewheelchairmission.org](http://www.freewheelchairmission.org)

