



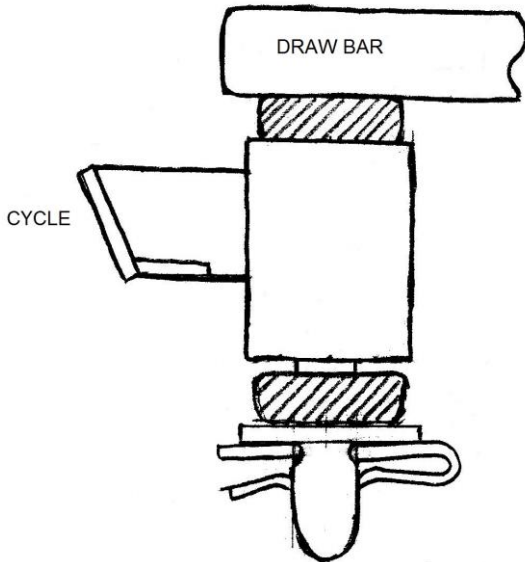
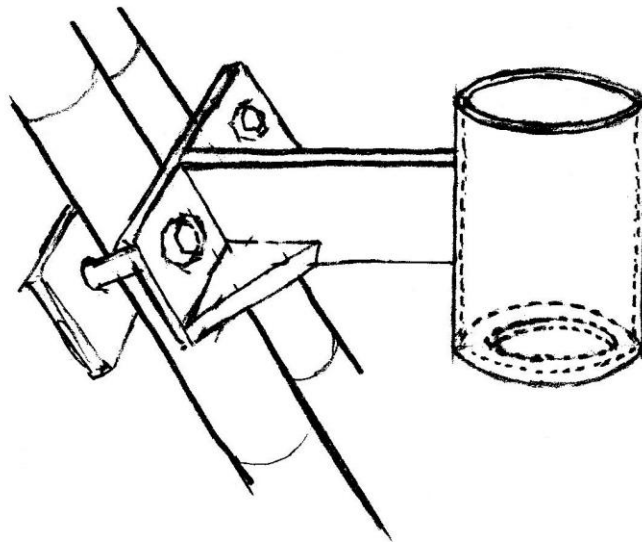
BICYCLE TRAILER HITCH

This is a simple design for a bicycle trailer hitch that can be made in a local workshop from a small quantity of metal. It can be used to pull heavy loads on a trailer. The design came from some work carried out some years ago and used in Tanzania where the lathe required for the Sri Lanka hitch would be very rarely available.

A further virtue of this design is that there is no metal-on-metal contact so it doesn't clink (and wear) as you ride along.

technical brief

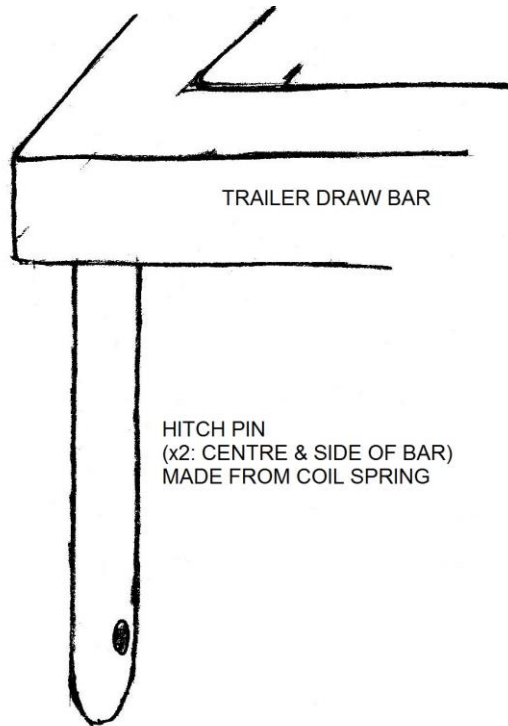
1



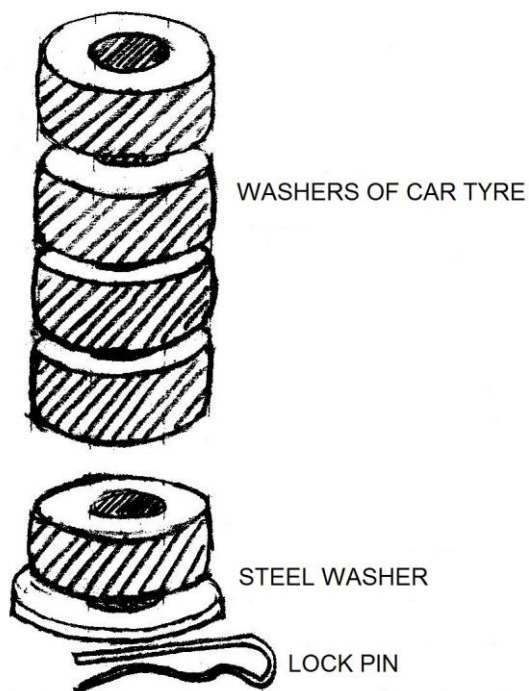
2

technical brief

3



4



This design and the drawings were done in Mtwara by Dr David Poston PhD (ITDG Workshops Programme Manager 1988 –'91).

Practical Action
The Schumacher Centre
Bourton-on-Dunsmore
Rugby, Warwickshire, CV23 9QZ
United Kingdom
Tel: +44 (0)1926 634400
Fax: +44 (0)1926 634401
E-mail: infoserv@practicalaction.org.uk
Website: <http://practicalaction.org/practicalanswers/>

Practical Action is a development charity with a difference. We know the simplest ideas can have the most profound, life-changing effect on poor people across the world. For over 40 years, we have been working closely with some of the world's poorest people - using simple technology to fight poverty and transform their lives for the better. We currently work in 15 countries in Africa, South Asia and Latin America.

technical brief