

Welcome

Congratulations on purchasing an exceptional award winning trailer from a trail blazing company.

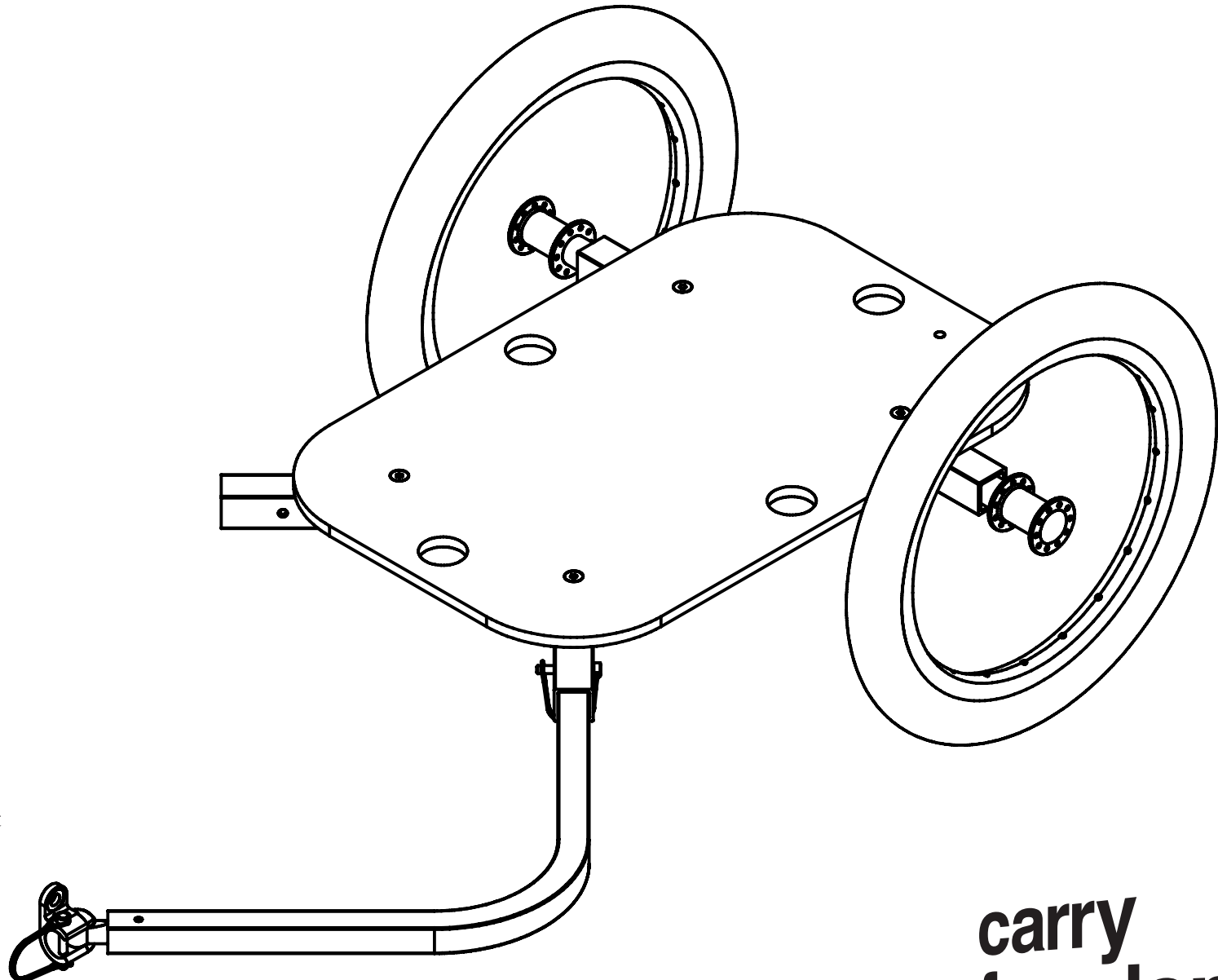
These instructions talk you through how to get the most out of your new Y-Frame trailer. Read them carefully before using your new trailer.

If you need help or advice with this manual either:

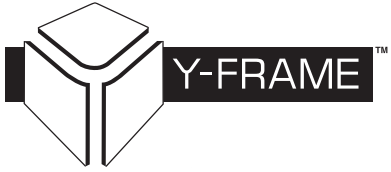
Contact your dealer/distributor,
Visit www.CarryFreedom.com or
Email instructions@carryfreedom.com

Carry Freedom
High Clunch Farm
Stewarton
Ayrshire
KA3 5JT
United Kingdom
+44 (0)1560 600 369

WARNING It is your responsibility to understand these instructions. We do not accept responsibility for how you use, modify, ride, or load the trailer. You must decide whether what you are doing with the trailer is safe, within your ability, and within the law.



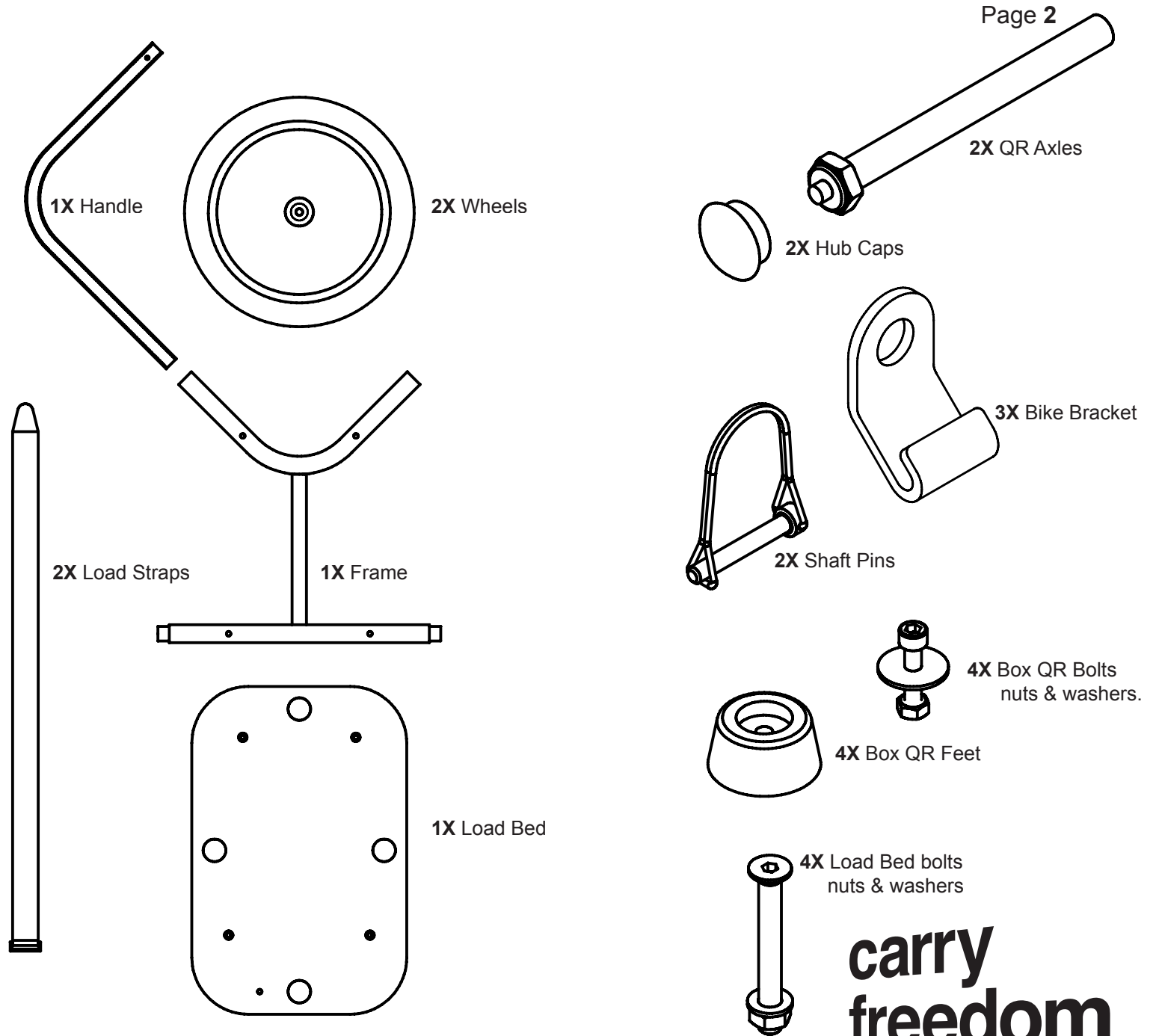
**carry
freedom™**



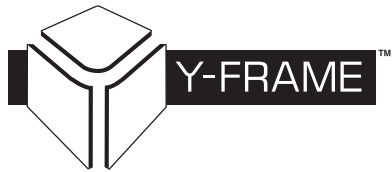
Contents

The box the Y-Frame came in will contain the components represented here.

The larger components are, where appropriate, individually wrapped, while the smaller components are bagged in groups, and contained within an accessory bag/box.



**carry
freedom™**



Assembly

Bolt Load bed to Frame

The load bed is attached via four counter sunk allen head bolts along with four lock nuts, and four washers. The load bed's grip surface should face away from the frame.

Pin Handle to Frame

Slide the handle into the main frame until its hole aligns with the frame hole.

Slide a shaft pin through the frame and handle holes to secure the handle.

close the spring gate on the shaft pin.

NB: The handle is normally fitted to the left, but can also be fitted to the right side.



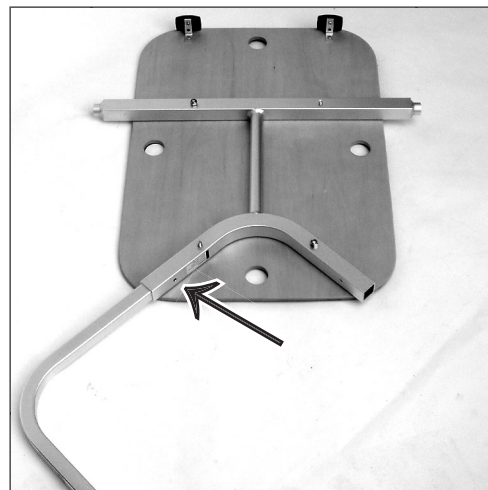
1. Lay Load bed face down with its four bolts protruding through their holes.



2. Place the frame over the bolts, then put a washer on each bolt



3. Tighten each nut, so the frame is tight against the load bed

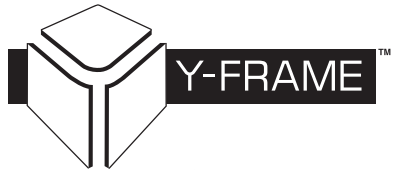


4. Insert the handle until the holes line up



5. Slide the shaft pin through the frame and clip its spring gate in place

carry
freedom™



Assembly

Pin Wheels to Frame

Push the button on the end of the axle.

Insert the axle into a wheel.

Put the rubber hub cap over the axle end.

Push center of rubber hub cap, and insert axle & wheel into the trailer frame.

NB: Once fully inserted, pull the wheel to make sure it is secure. If they pull away the axle may need to be adjusted longer.

If the axle length needs adjusted see "adjusting axle length" on page 8.



6. Push the button on the end of the axle, and insert into the wheel.



7. The nutted end of the axle should sit in the recessed side of the wheel



8. Insert a rubber hub cap to cover the axle end

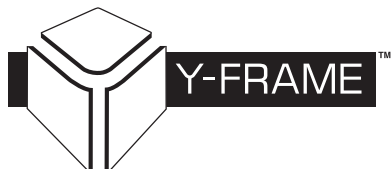
9. Push the center of the hub cap and insert the wheel into the trailer frame



10. Pull at the wheel to ensure it is secure. See page 8 if it isn't



carry
freedom™



Hitch

Your bike has a “Bike Bracket” permanently fixed to it. The trailer hooks to this, and is secured by a pin. The bike bracket will fit almost all axle types, both threaded and quick release.

The bike bracket uses your existing quick release skewer, or wheel axle. Try and avoid removing any existing washers/ springs on the bikes axle assembly.

NB: Make sure there is enough thread on your QR skewer, or axle. You will need a spare 3mm of thread for your hitch.

Be careful that the hitch does not affect the function of the axle assembly.

After the 1st mile cycled with a trailer inspect the hitch to make sure the hitch has not twisted, and the bikes wheel has not moved.

Contact hitch@carryfreedom.com if the hitch does not fit your bike.



11. The Bike bracket attached to the left chain stay using the rear wheels axle.



12. With nutted axles the bracket sits between essential washers and the nut

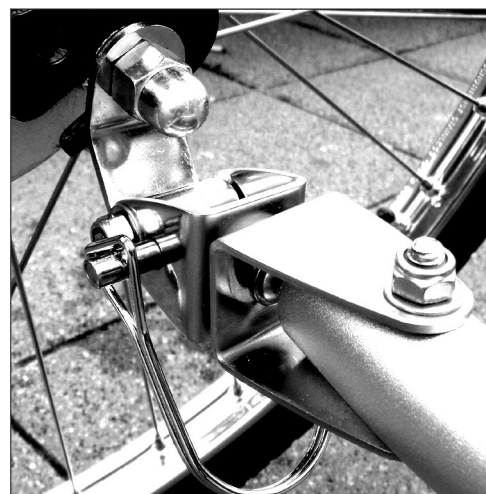


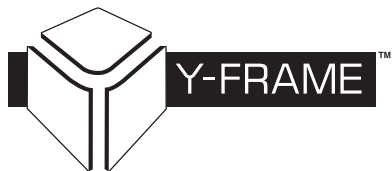
13. With QR Skewers the bracket fits between the skewer and frame

14. Slide the bar into the hook



15. Pin to secure, close the spring gate





CARGO CONTAINERS

The Y-Frame can accept most loads. You can bolt containers directly to the frame or load bed, strap things down, or fit a box with our box quick release system. Contact custom@carryfreedom.com for really unusual loads.

Loading directly

Any load can be tied down onto the anti slip surface of the load bed. The four holes in the load bed can be used as tie down points, as can the aluminium frame below the load bed. Regularly check the load is secure and has not slipped.

Bags

Most bags can be strapped directly to the load bed using the enclosed straps, but the grip surface can abrade bags quickly. Place a matt between bag and the trailer, if this is a problem.

Water proof Ortlieb Rack Packs can clip directly to the load bed, the 48L for the Y-Small, and the 90L for the Y-Large. See www.Ortlieb.com or www.CarryFreedom.com for full details.

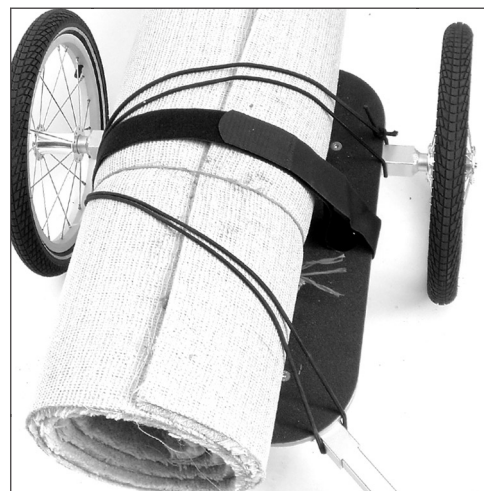
Boxes

Most flat bottomed boxes will fit. The maximum box footprint is around 450mm X 900mm for the Y-Small and 600mm X 900mm for the Y-Large.

A box may be bolted permanently to the Y-Frame or fitted with our box quick release. The Center of the box should lie ahead of the trailer axle, and the front of the box must be clear of your bicycles wheel.

To fit a box permanently secure it at least four points, as close to its corners as practical. Boxes may need penny washers fitted to stop the bolt pulling through the box's base.

Secure weak boxes to the load bed, strong boxes may be bolted directly to the frame.



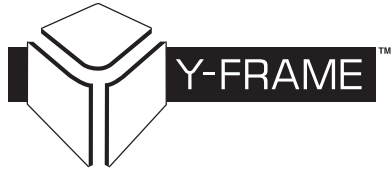
16. Tied down load



17. Bag. Ortlieb Rack Pack compression straps feed through the Load bed holes to easily hold the bag on the trailer

18. Box bolted to the load bed





Box Quick release

This simple system allows flat bottomed hard body boxes to attach and detach from the Y-Frame quickly and easily.

Fitting

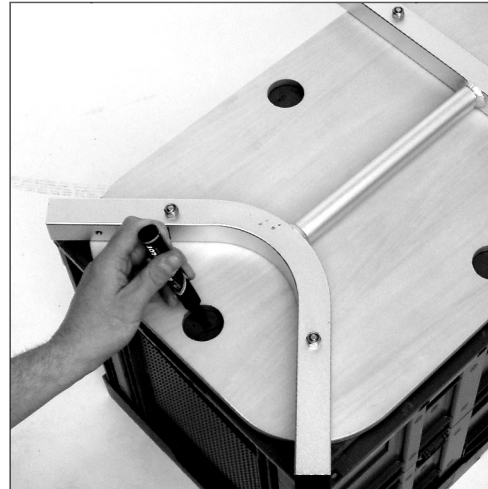
The trailer should be positioned so the front edge of the box runs along the front edge of the load bed, and the box sits centrally between the two wheels. Mark the rough centre of the load beds four holes. Remove the trailer and drill four 6mm holes. Bolt the location feet to the box using the following sequence:

INSIDE Nut-washer-box-Location foot. OUTSIDE

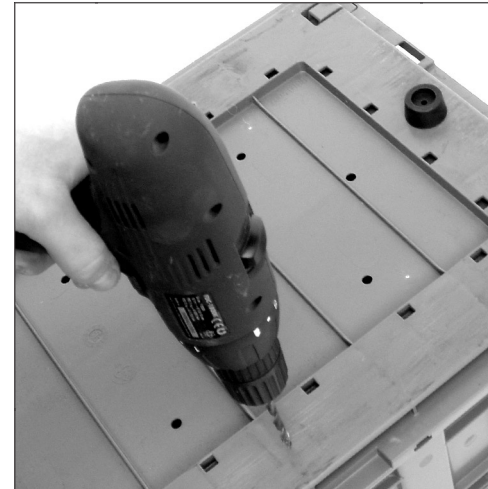
Using

Fit the two load straps to the left and right load bed holes. Attach one strap with its buckle the other with its velcro. Place the box so the four feet sit in the four load bed holes. Secure the box with the straps.

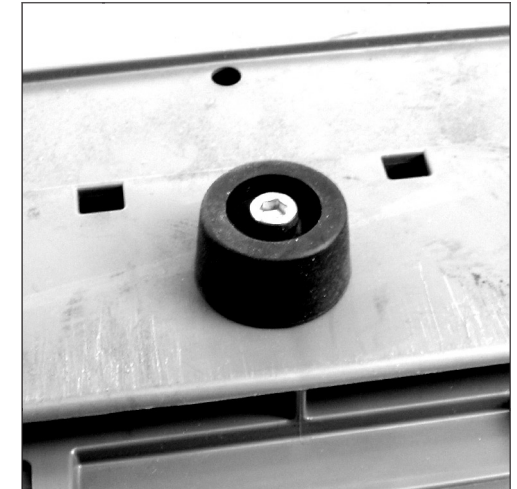
The straps will retain any lid on the box.



19. Place trailer on upturned box and mark feet locations holes



20. Drill four 6mm holes

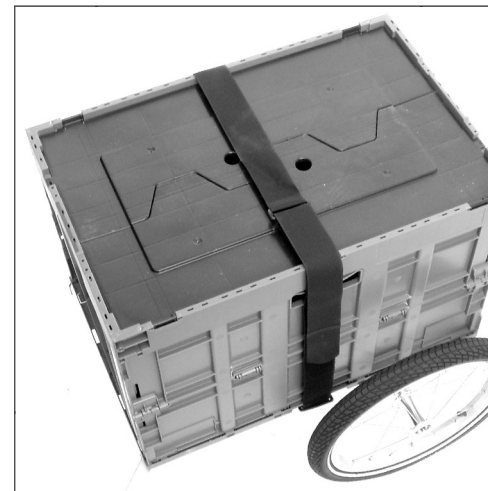


21. Bolt the feet to the box:
IN Bolt-Washer-Box-Foot-Nut OUT

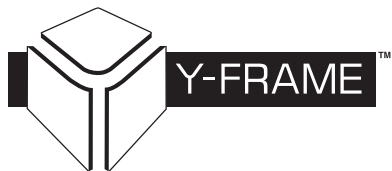
22. Fit straps to the holes. **NOTE:** Attach one strap with velcro, & one with buckle



23. Place the four feet in the four holes and strap the box to the trailer.



carry
freedom™



Loading Rules

Loading

Do not carry more than 90kg of luggage when cycling.

Keep the trailers centre of gravity lower than 0.6m, and in front of its axle.

Cycle slower, as you carry more.

Make sure your load is secure, and that nothing can catch in the wheels, or drag on the ground.

Adjust tyre pressures to match the load, higher pressures for heavier loads.

No rigid load should be closer than 25mm to any wheel, and no flexible load should be closer than 50mm to any wheel.

Never use the trailer to carry live animals.

Riding Rules

Before every ride

Make sure the trailer is correctly hitched, loaded, and assembled.

Pull at the trailer wheels to make sure they are secure.

Check your brakes are in good working order.

Inspect the hitch before every ride to make sure the hitch is safe.

Once on the move check your stopping distance for trailer weight, and road conditions.

Remember

It is easy to forget you are towing a trailer.

With a heavy trailer it takes longer than normal to stop.

The trailer turns tighter than the bike, be careful in corners.

Stop if you hear an unusual noise, or notice a change in handling.

Practice with an empty trailer away from traffic until you are comfortable using it.

Adjusting Axle Length

If an axle is too short the wheel and axle will fall off, if the axle is too long the wheel will rattle against the frame, it is better to be too long than too short.

To adjust the axle length, fit a 10mm spanner to the flats at the end of the axle and a 19mm spanner to the lock nut at the other end. Twist the lock nut to lengthen or shorten the axle.

Adjust by small increments only, checking the axle in the frame until it's secure and does not rattle excessively.

24. Adjusting the axle length



Maintenance Tips

Monthly maintenance

The Y-Frame needs very little maintenance, however its reliability and length of service can be dramatically improved by following these simple steps:

Regularly clean and grease the axle shafts.

Clean the trailer and look for damage/wear.

NEVER Grease or oil the hitch Grease attracts grit and shortens the hitches life. If you do want to lubricate it use graphite powder.

Check wheel condition. Are the spokes tensioned, how worn are the tyres, is there any looseness in the wheel bearing's? If you do not feel comfortable performing these checks consult your nearest bike dealer.

Are any of the nuts or bolts on the trailer loose?

Inspect for any signs of damage on the frame or load bed.

**carry
freedom™**