

# *Casa de Dios*

16' x 20' House



## *Construction Plans*

In Association with Baja Christian Ministries [www.bajachristian.org](http://www.bajachristian.org)

Downloads (PDF) available on-line at [www.teamcasa.org](http://www.teamcasa.org)

Also available - VIP Latrine plans - Casita Plans

Special Thanks to Hector Rubio for his service and help in creating these plans.

CAD files available upon request.

©Copyright 2004, 2005 David Bower, Team Casa de Dios, Baja Christian Ministries

Permission is freely granted to copy and use for non-profit organizations.

All others must obtain prior permission.

**Rev. June 9, 2007**

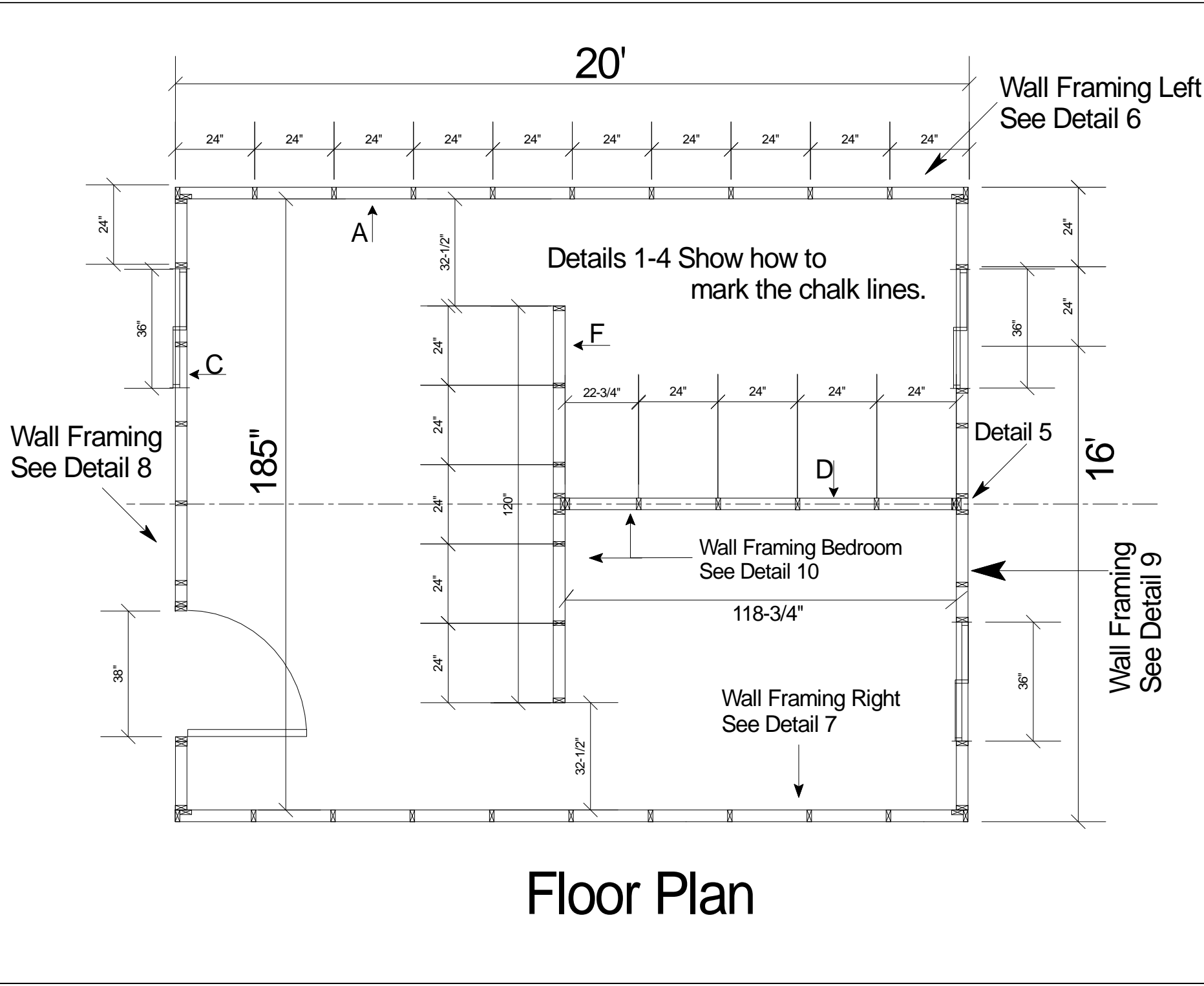
## ***Casa de Dios Cut List***

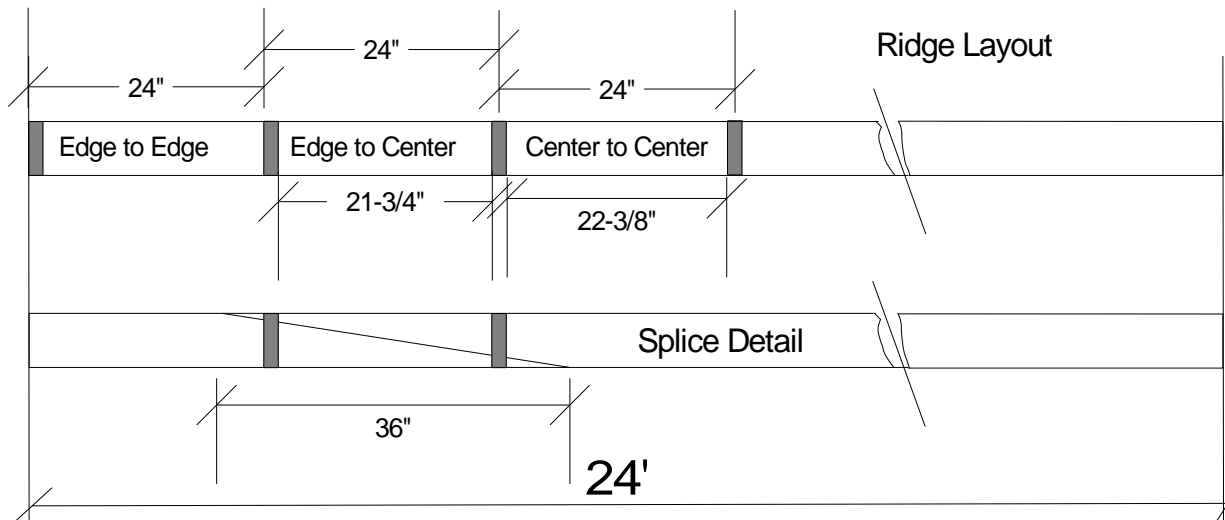
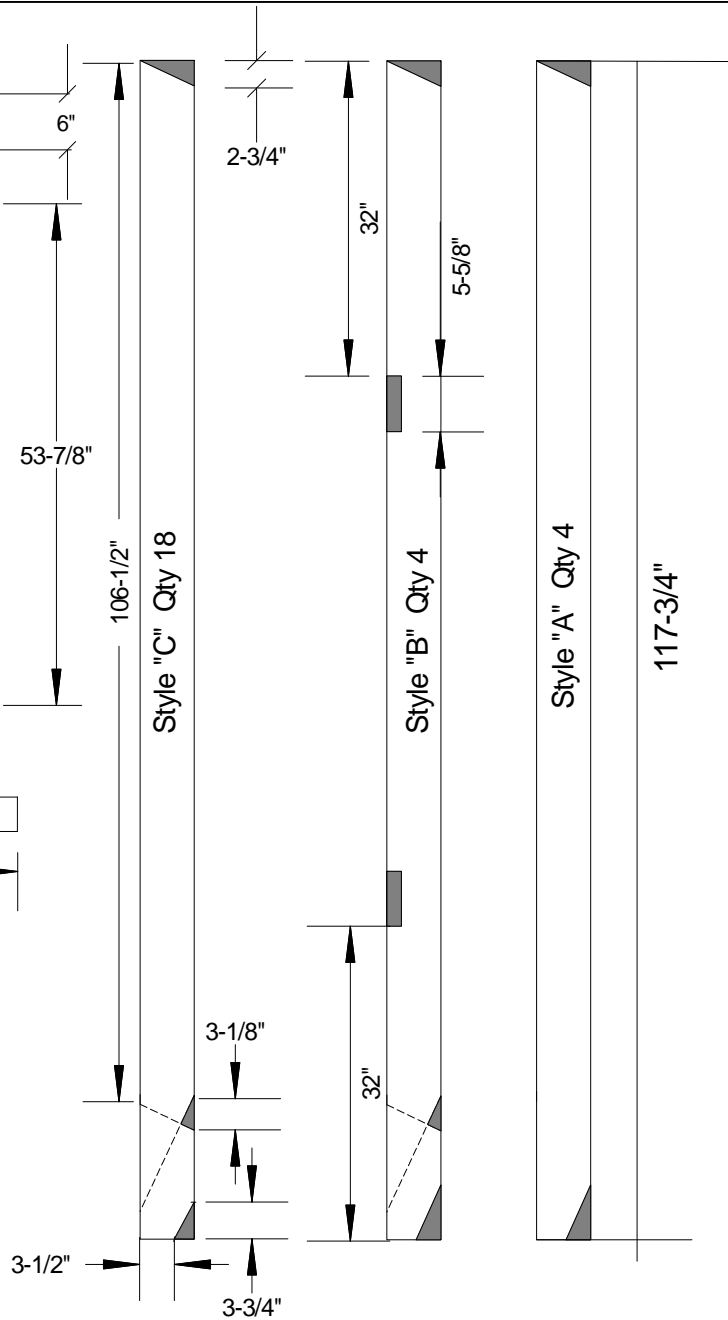
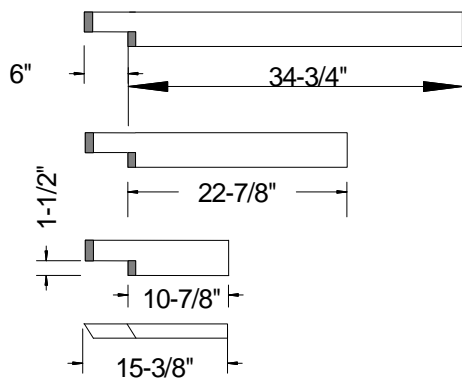
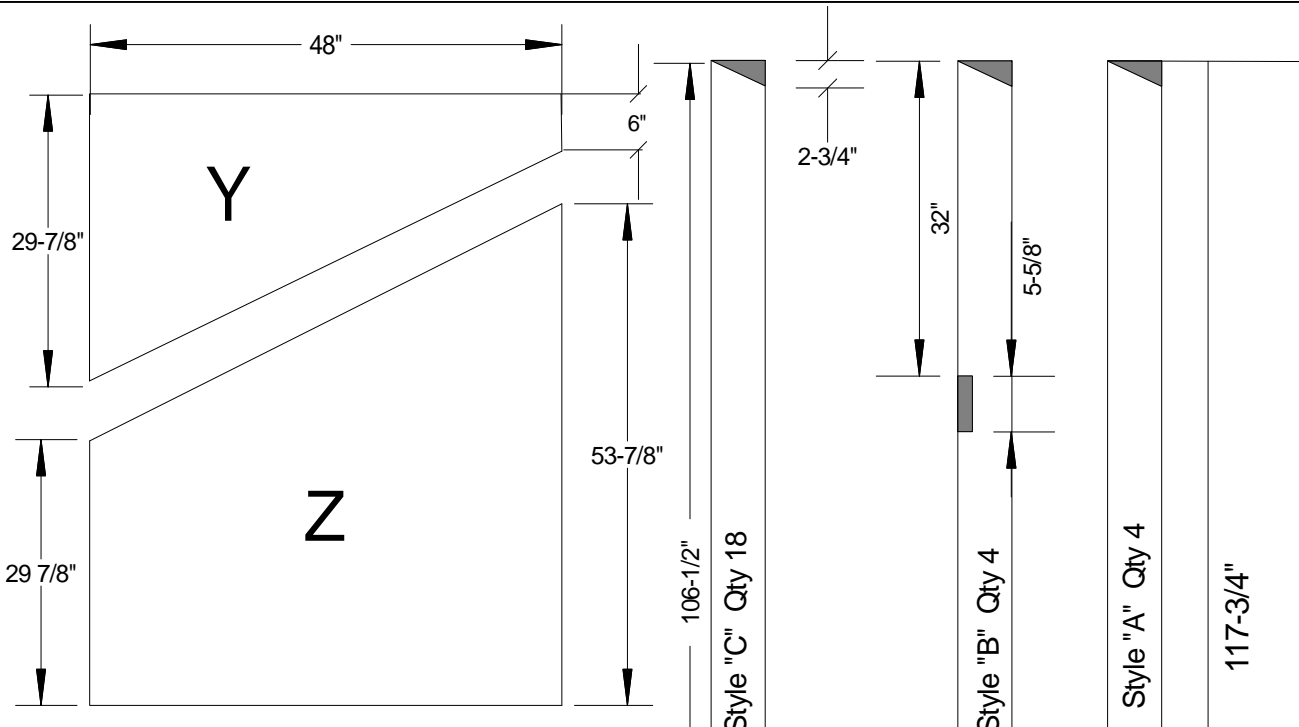
<b>Legend</b>	<b>Qty</b>	<b>Dimension</b>	<b>Location/Description</b>
A	4	2"x 4" x 20'	Long Wall Top and Bottom Plate
B	4	2"x 4" x 185"	Short Wall Top and Bottom Plate
C	3	2"x 4" x 16'	Top Plates Short Walls
D	4	2"x 4" x 118-3/4"	Bedroom /Center Wall Top Plate
E	2	2"x 4" x 110-3/4"	Top Plates Long Walls
F	2	2"x 4" x 10'	Bedroom Top/Bottom Plate
G	55	2"x 4" x 92-1/4"	Wall Studs
H	11	2"x 4" x 36"	Window Frames/Cripples/Headers
I	3	2"x 4" x 17-1/4"	Window Top Cripple
J	6	2"x 4" x 79"	Interior Wall Studs
K	1	2"x 4" x 41"	Door Header
L	4	2"x 4" x 10-1/4"	Door Cripple
M	2	2"x 4" x 80-1/2"	Door studs
N	2	2"x 6" x 117-1/4"	Ledger Bedroom/Loft
O	5	2"x 6" x 182"	Bedroom Ceiling Joists
O1	1	2"x6"x16'	Bedroom Ceiling Joists
P	1	2"x 6" x 24'	Roof Ridge
Q	4	2"x 6" x 10'	Rafter - Fascia "A"
R	4	2"x 6" x 10'	Rafter - End Wall "B"
S	18	2"x 6" x 10'	Rafter - Common "C"
T	8	2"x 6" x 45-3/4"	Roof Lookouts
U	8	2"x 6" x 22-1/2"	Pressure/Bird Blocks Roof
U1	8	2"x 6" x 22-3/8"	Pressure/Bird Blocks Roof
V	4	2"x 6" x 21-3/4"	Pressure/Bird Blocks Roof Ends
W	4	4' x 4'	1/2" Plywood Roof Sheeting
X	6	2' x 8'	1/2" Plywood Roof Sheeting
Y	4	48" x 6" x 29-7/8"	1/2" Plywood Endwall
Z	4	48" x 29-7/8" x 53-7/8"	1/2" Plywood Endwall
	10	4' x 8'	1/2" Plywood Roof Sheeting -Full Sheets
Paint	21	4' x 8'	1/2" Plywood Wall Sheeting -Full Sheets
A1	1	2"x 4" x 46-1/2"	Center Cripple Roof Stud
B1	4	2"x 4" x 10-7/8" – 15-3/8"	End Wall Roof Cripple
C1	4	2"x 4" x 22-7/8" – 29"	End Wall Roof Cripple
D1	4	2"x 4" x 34-3/4" – 40-3/4"	End Wall Roof Cripple

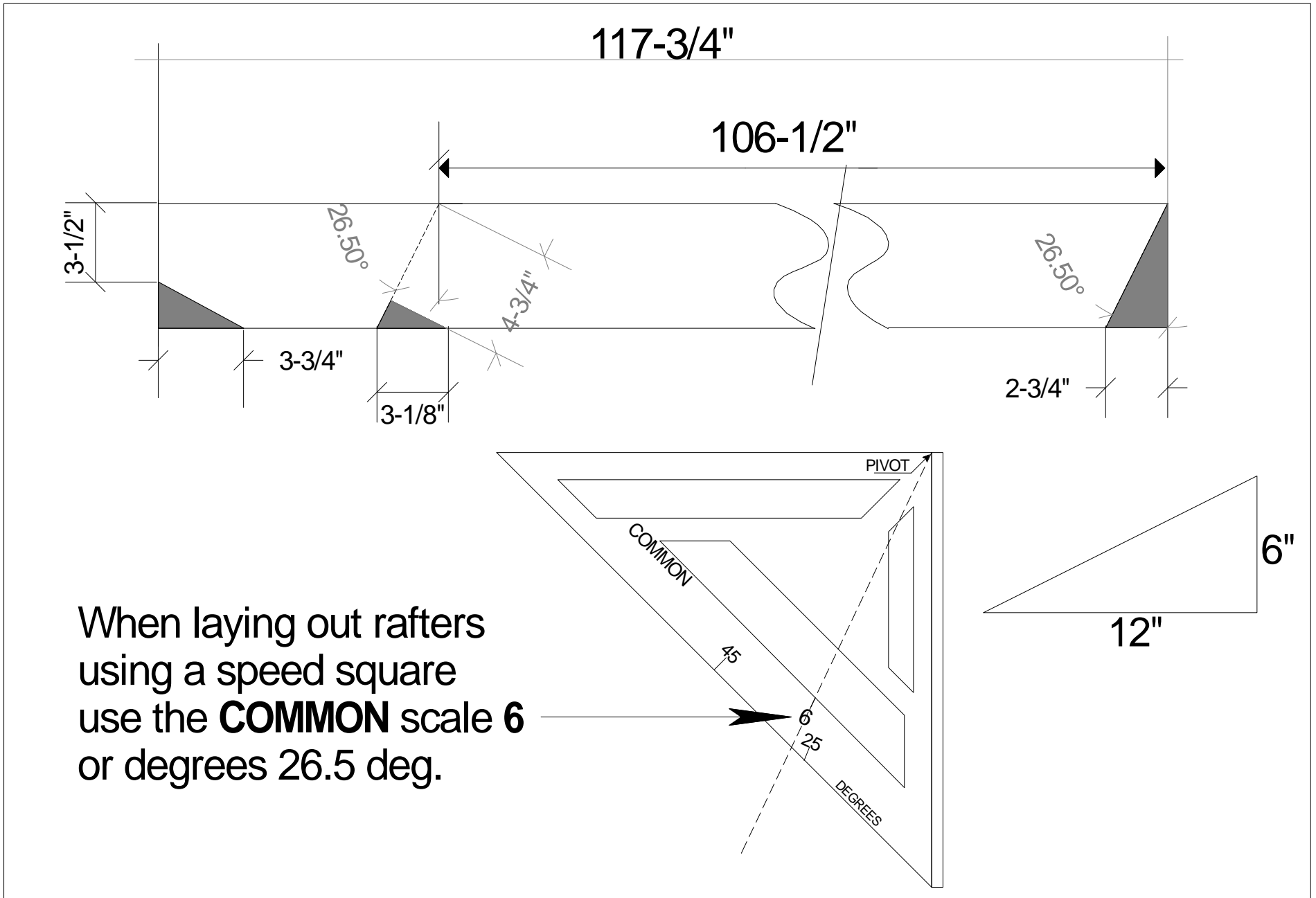
Notes: Verify ALL measurements!

Check ALL windows and doors **PRIOR** any cutting!

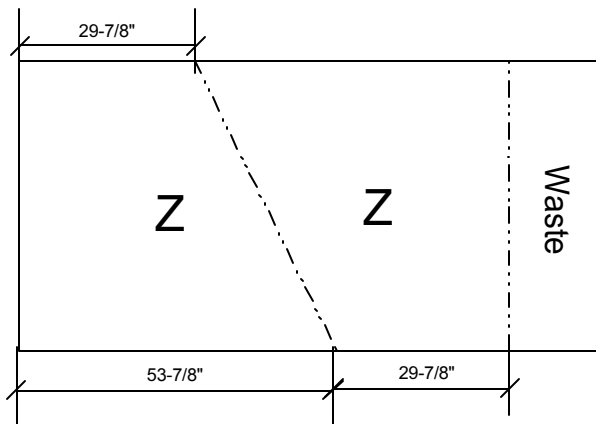
Measure twice! Cut Once!



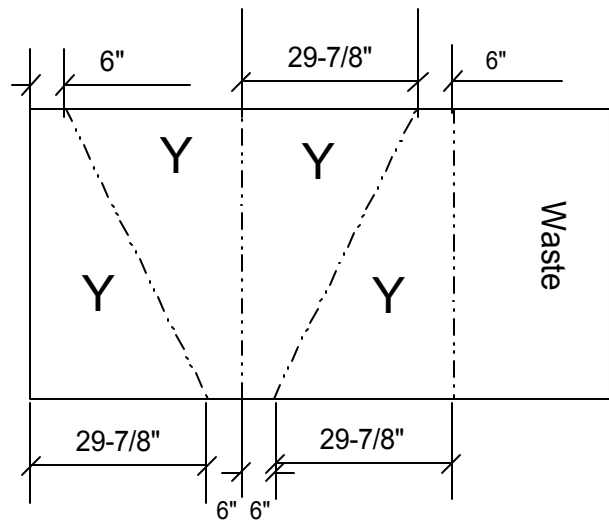




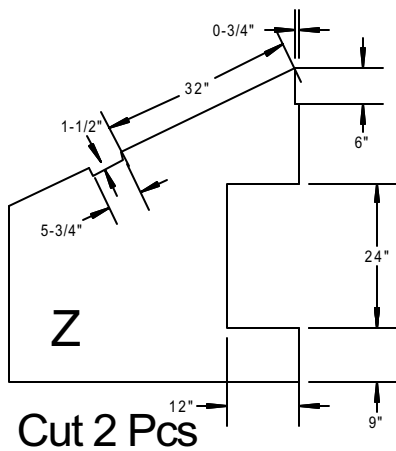
When laying out rafters using a speed square use the **COMMON** scale **6** or degrees  $26.5$  deg.



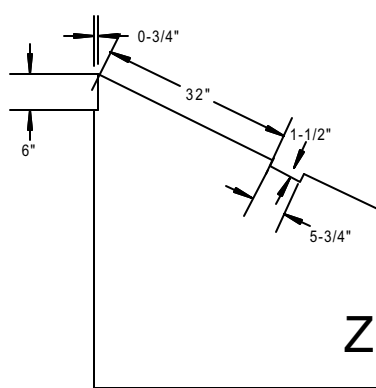
Make 4 letter Z's - 2 full sheets required



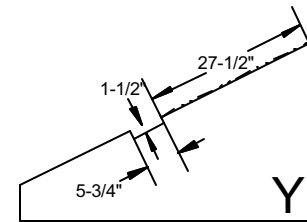
Make 4 letter Y's - 1 full sheet required



Cut 2 Pcs

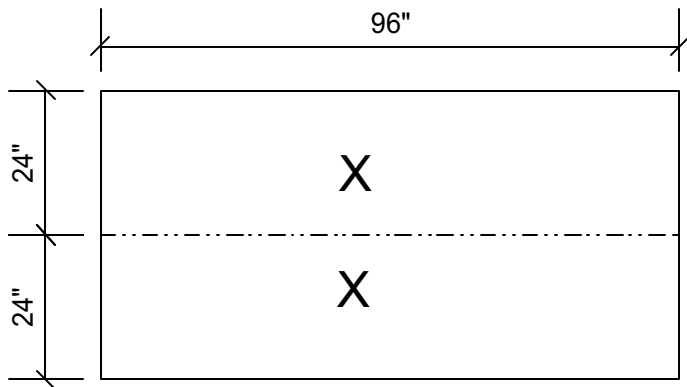


Cut 2 Pcs

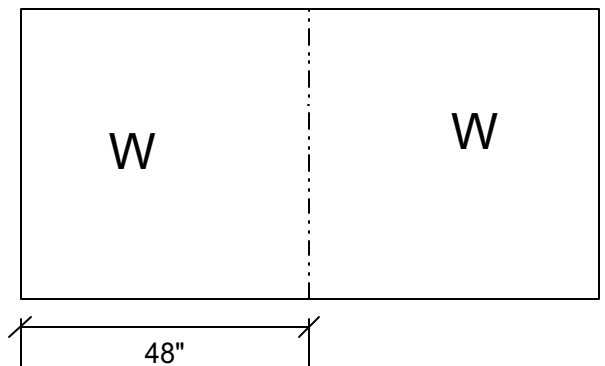


Cut 4 Pcs

Gable Endwall Plywood - Detail Cuts

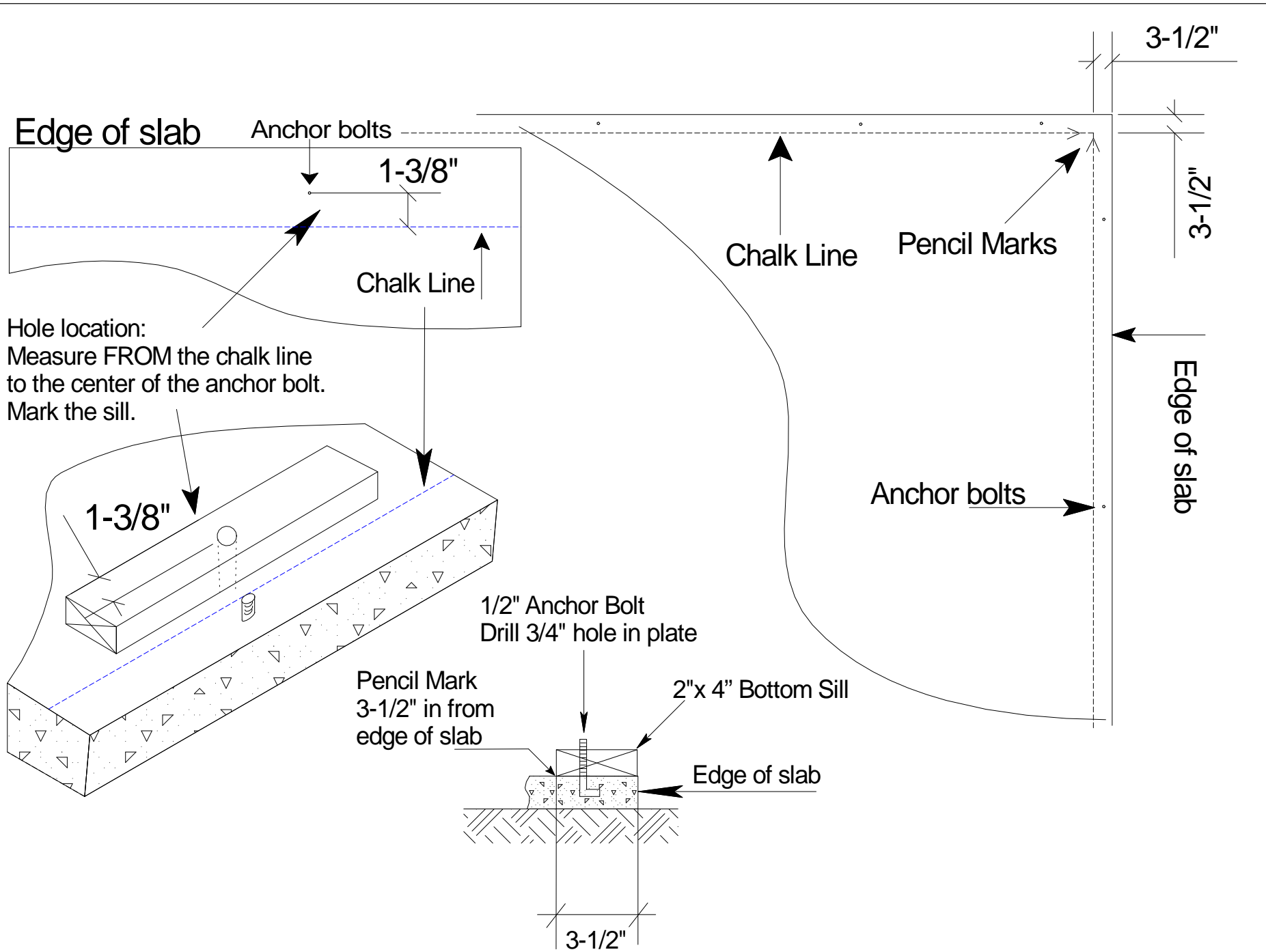


Make 6 letter X's - 3 full sheets required



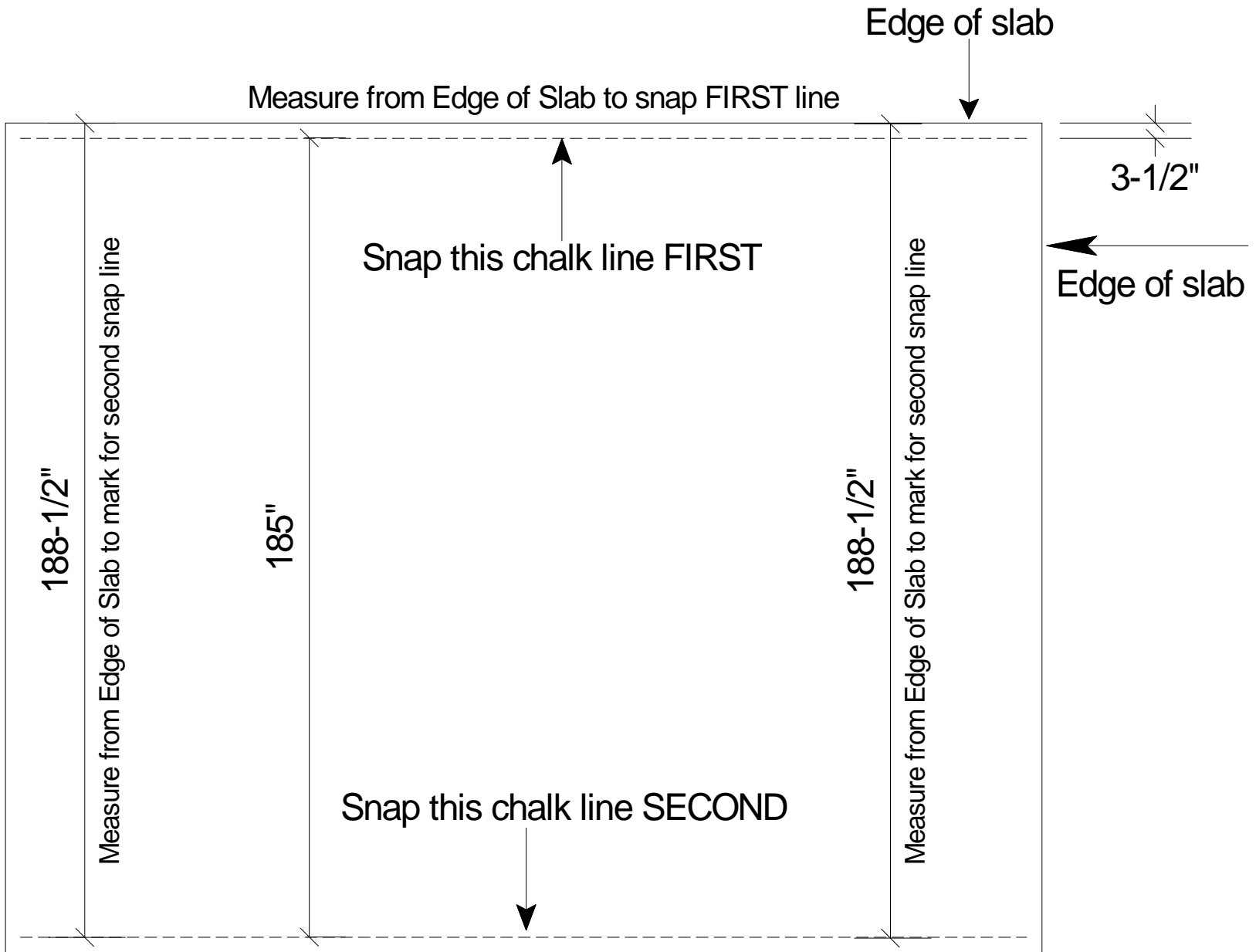
Make 4 letter W's - 2 full sheets required

Roof Plywood Cutting Diagram



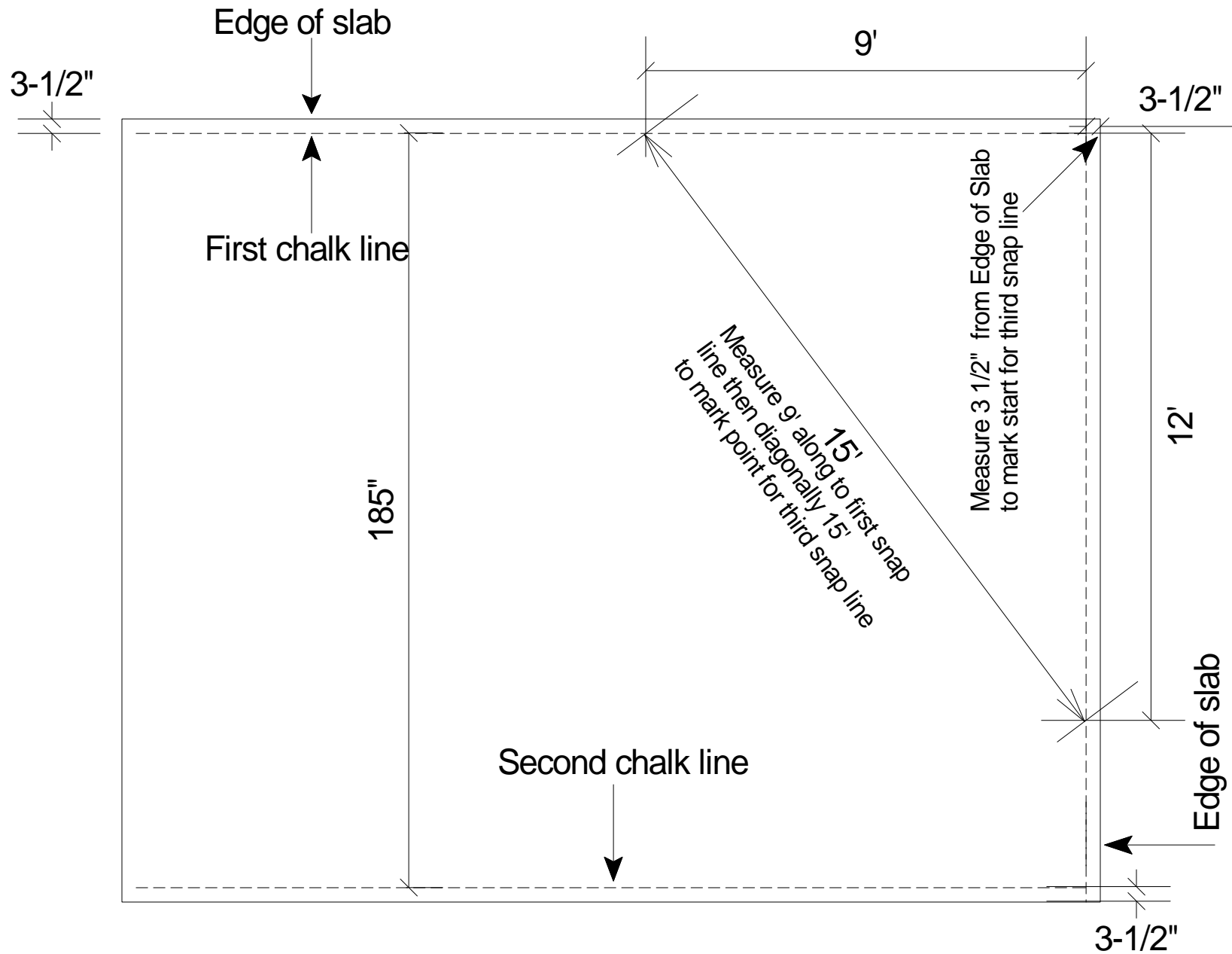
**Detail 1 Layout - Marking - Chalk Lines**

3-1/2"

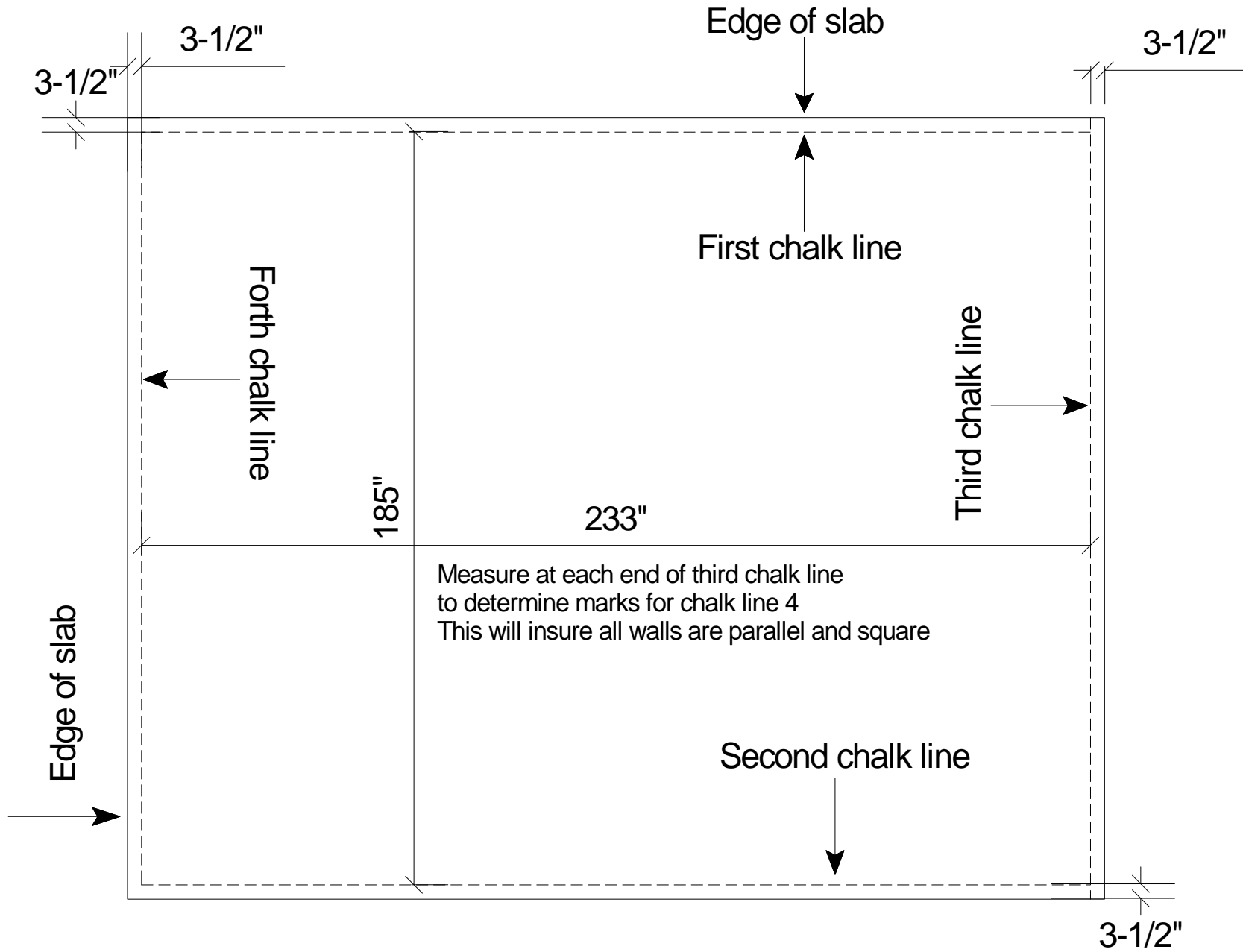


Detail 2 - Layout Lines - Long Walls First



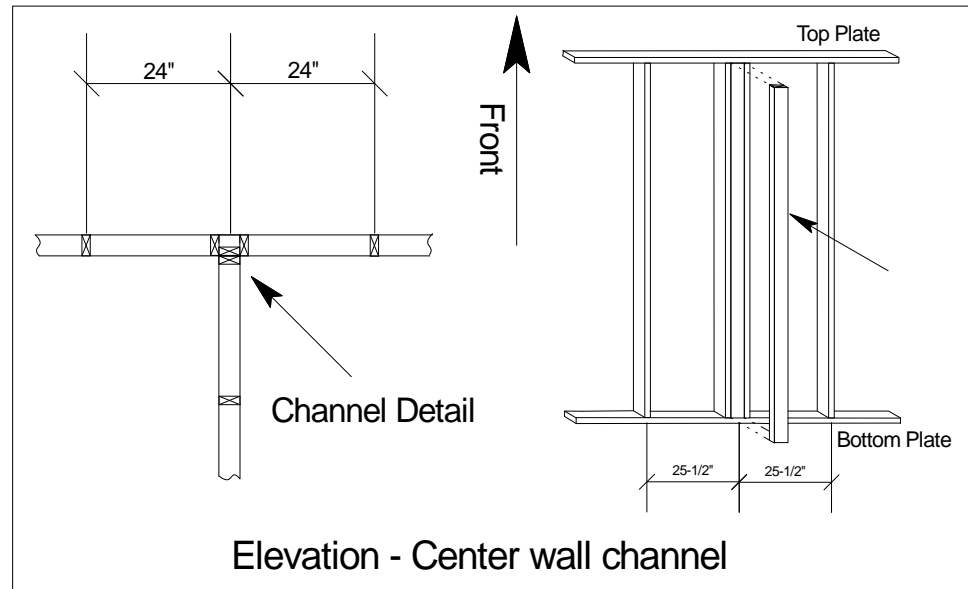
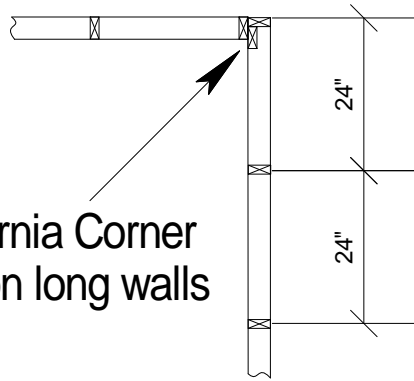


Detail 3 - Layout Lines - Short Walls Second

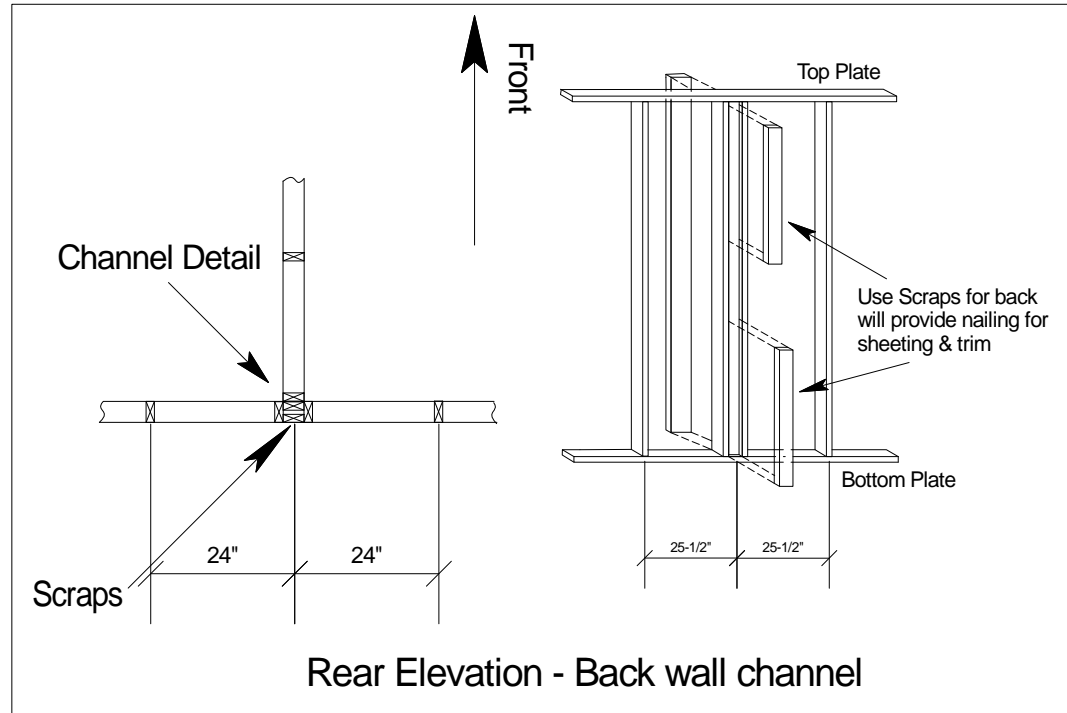


Detail 4 - Layout Lines - Short Walls Third

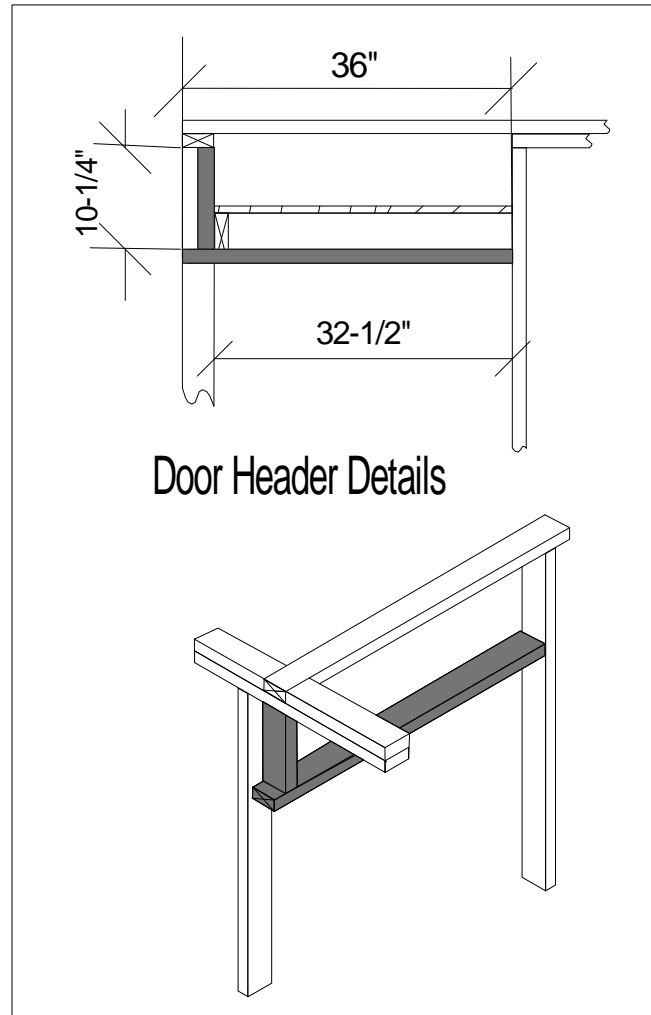
California Corner  
only on long walls



Elevation - Center wall channel



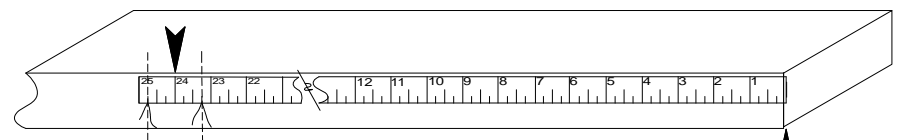
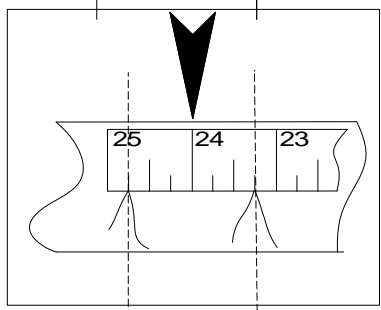
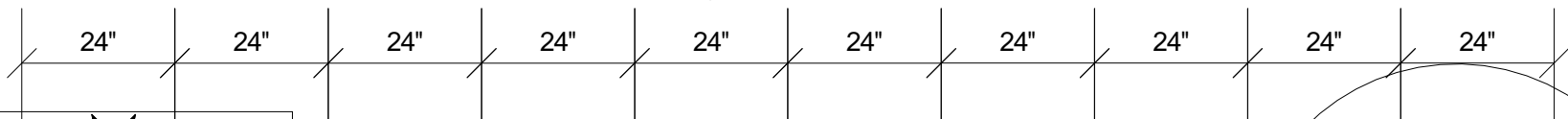
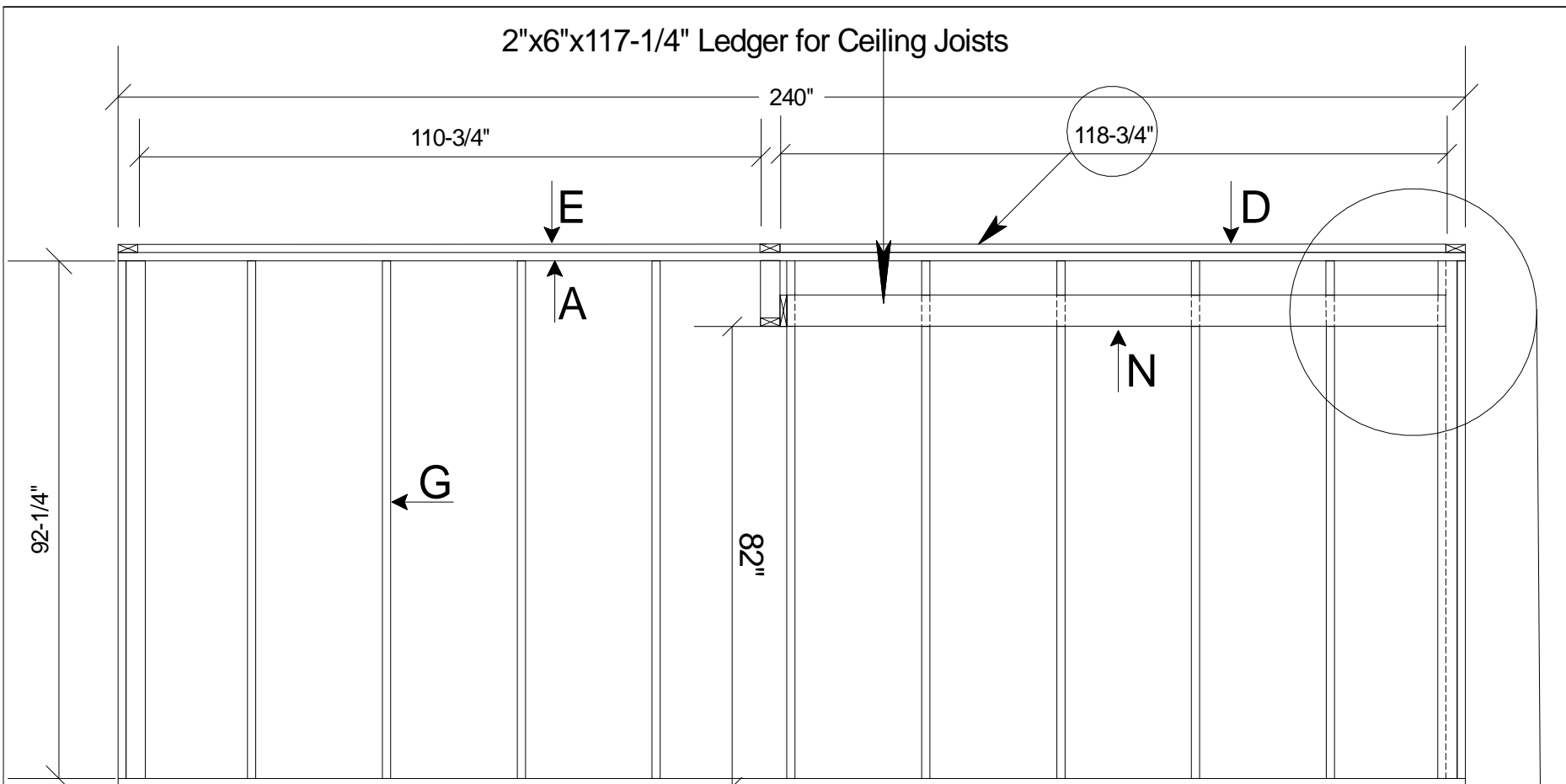
Rear Elevation - Back wall channel



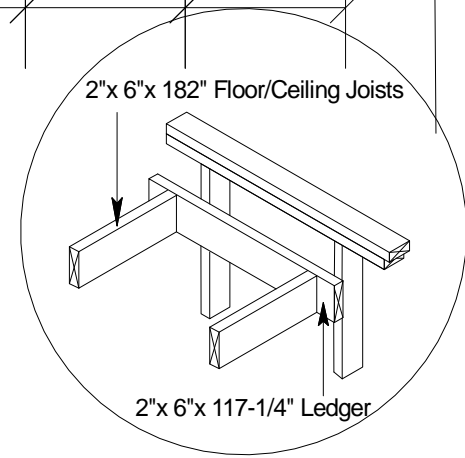
Door Header Details

Detail 5 - Floor Plan - Framing Details

2"x6"x117-1/4" Ledger for Ceiling Joists



Begin layout with measuring tape "hooked" one the end of the plate. Mark for 24" on center. Make two marks as illustrated. Center stud between points.



Detail 6 - Long Wall Framing Left Side

2"x6"x117-1/4" Ledger for Ceiling Joists

240"

118-3/4"

110-3/4"

82"

92-1/4"

24"

24"

24"

24"

24"

24"

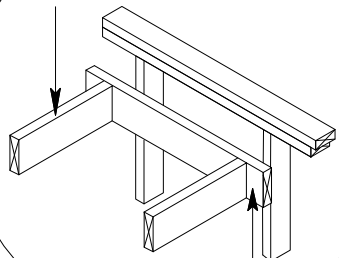
24"

24"

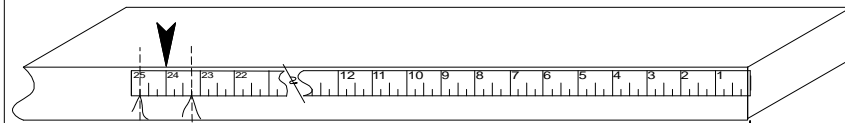
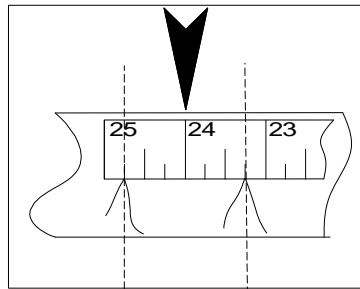
24"

24"

2"x 6"x 182" Floor/Ceiling Joists

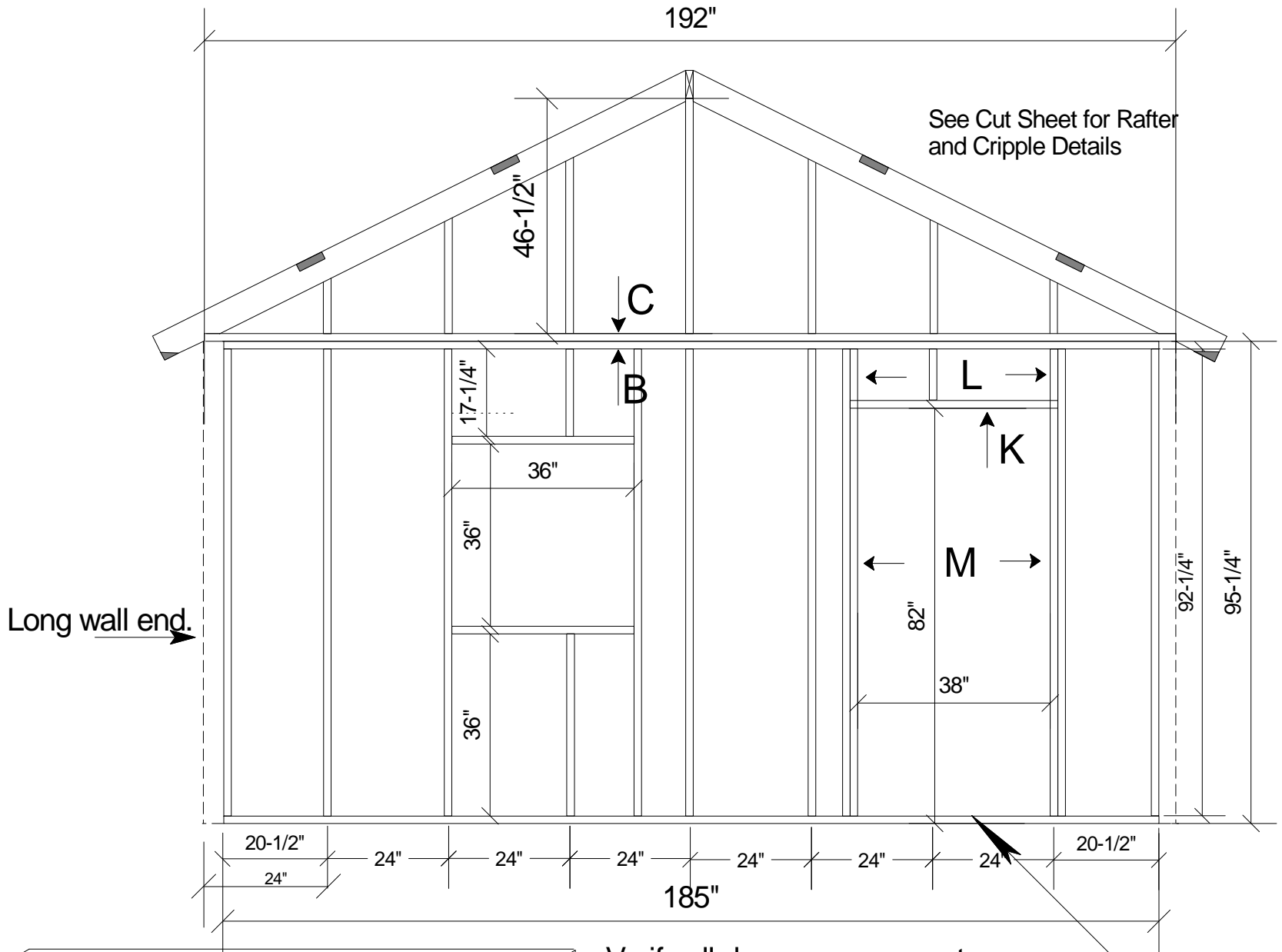


2"x 6"x 117-1/4" Ledger



Begin layout with measuring tape "hooked" one the end of the plate. Mark for 24" on center. Make two marks as illustrated. Center stud between points.

## Detail 7 - Long Wall Framing Right Side

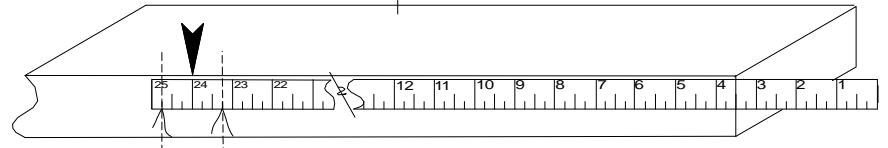


See Cut Sheet for Rafter and Cripple Details

Long wall end. →

Verify all door measurements.

Note: Watch or Anchor bolt locations indoor way.



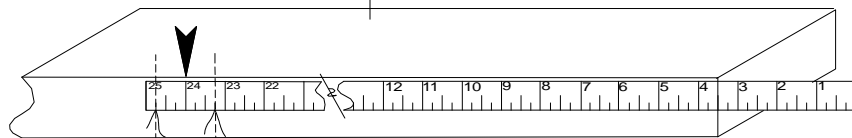
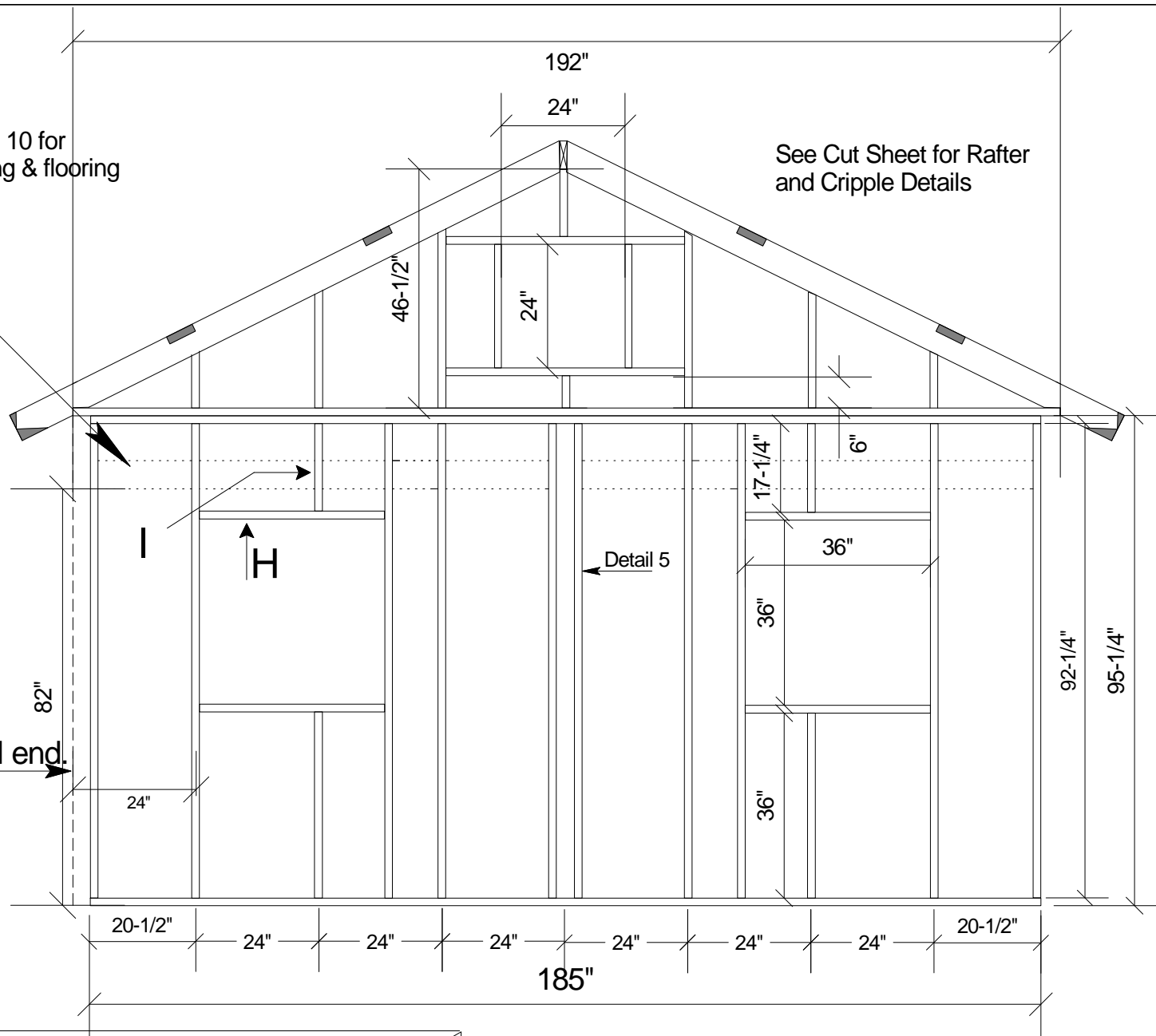
Begin layout with measuring tape **3-1/2" past end** of the end of the plate. Mark for 24" on center. Make two marks as illustrated. Center stud between points.

## Detail 8 - Front Wall Framing

See Detail 10 for  
Loft framing & flooring

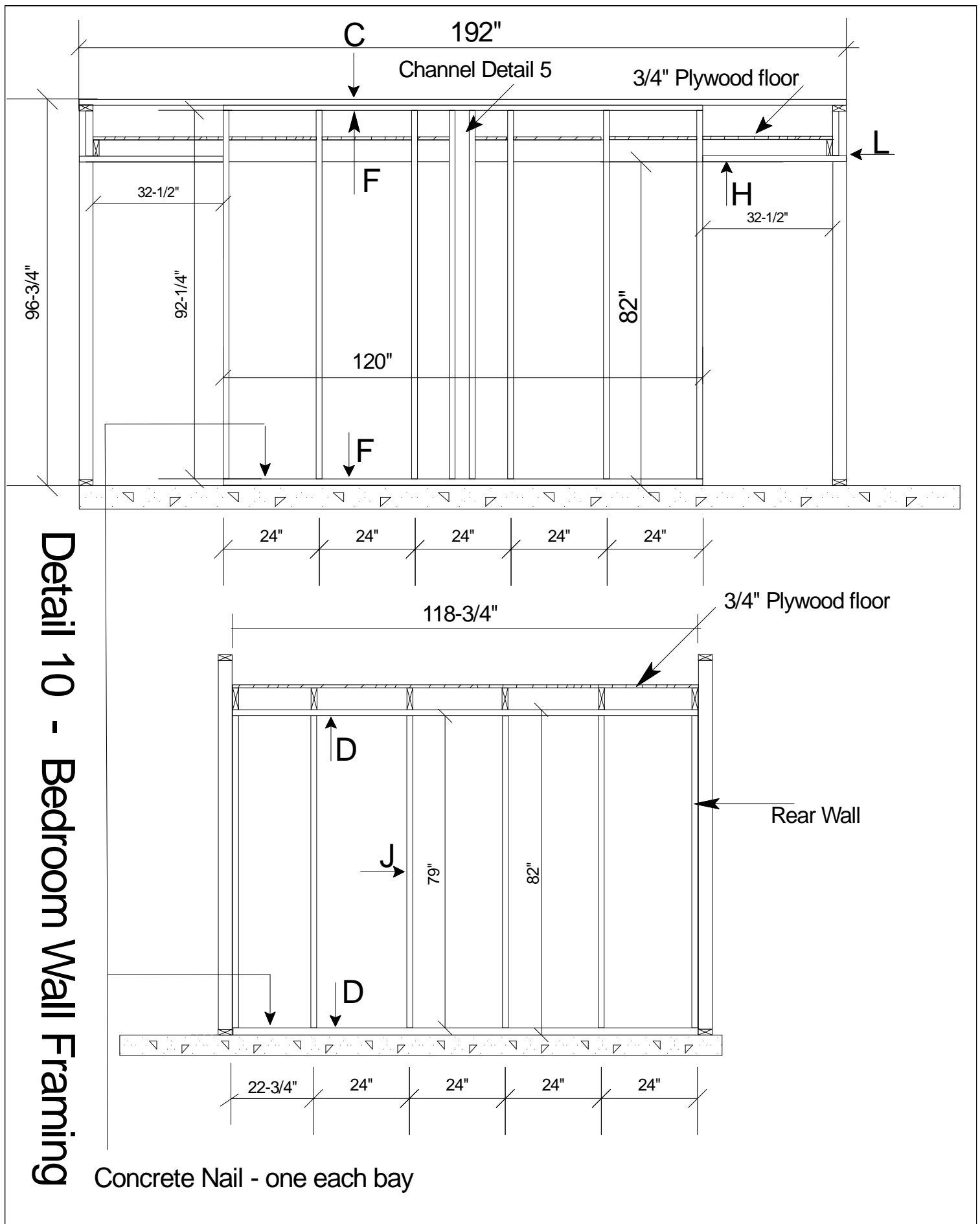
See Cut Sheet for Rafter  
and Cripple Details

Long wall end.



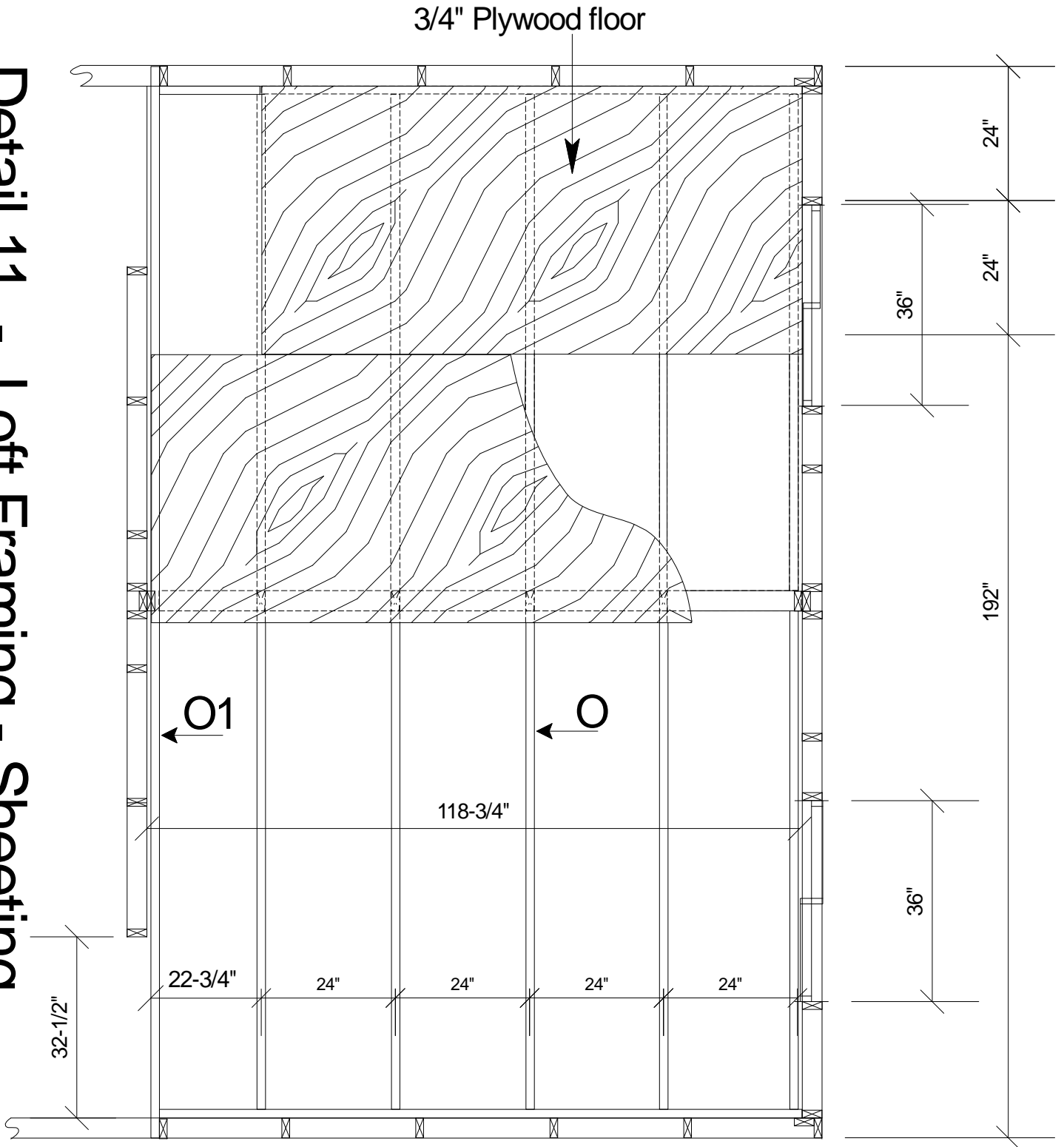
Begin layout with measuring tape **3-1/2"** past end  
of the plate. Mark for 24" on center.  
Make two marks as illustrated. Center stud between points.

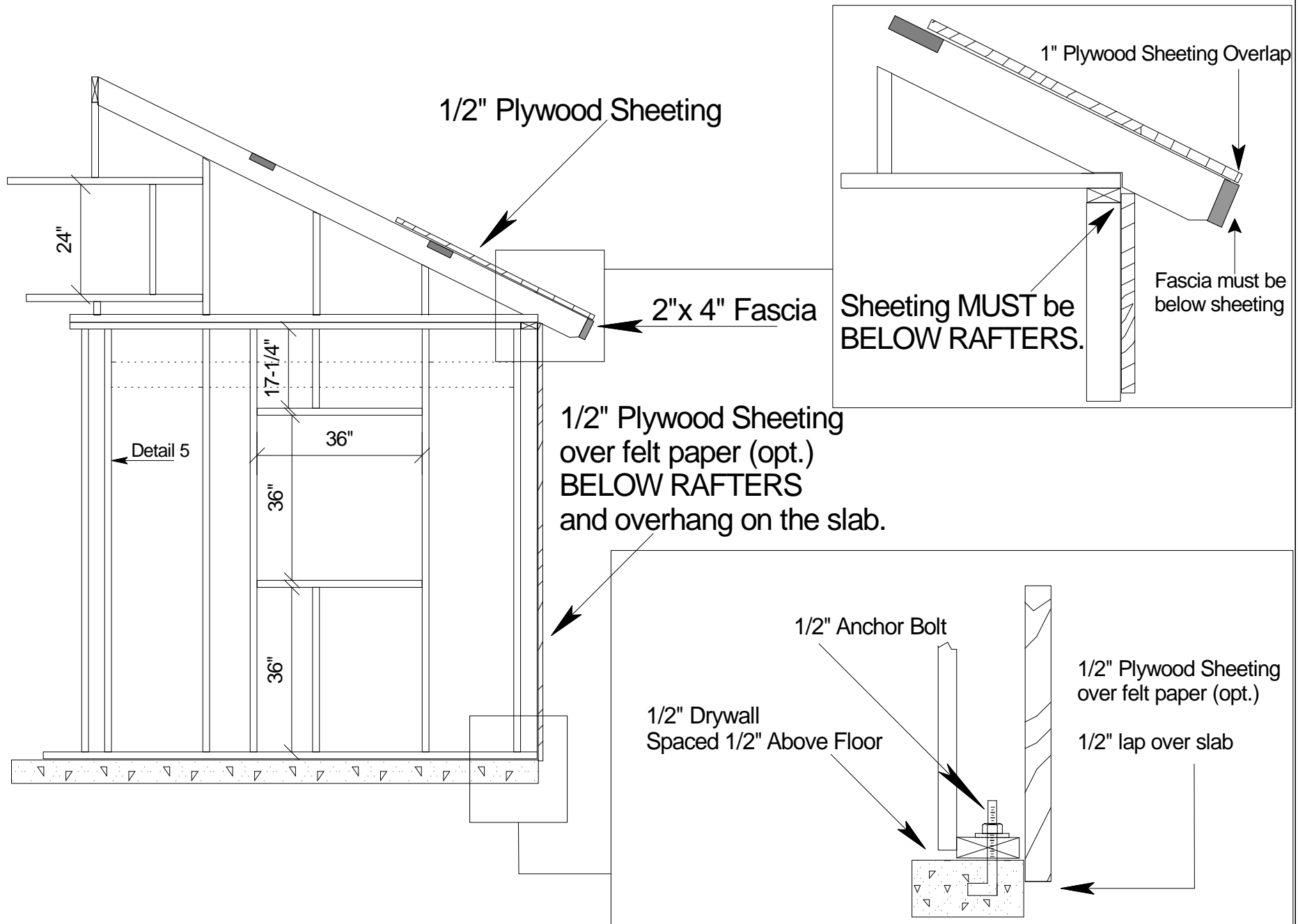
Verify all window measurements.  
**Detail 9 - Rear Wall Framing**



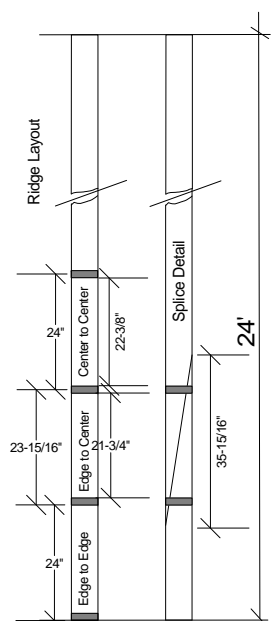
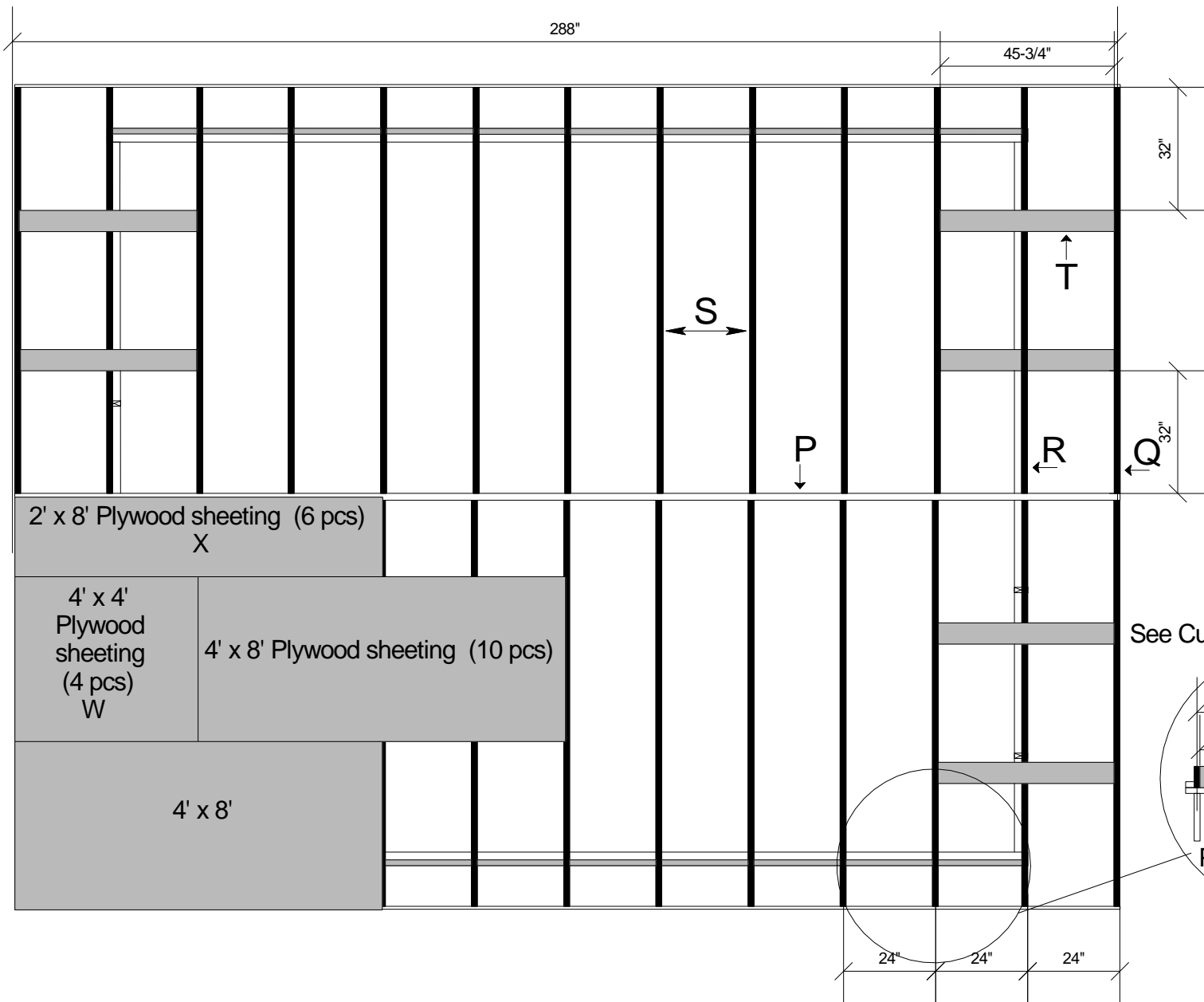


# Detail 11 - Loft Framing - Sheeting

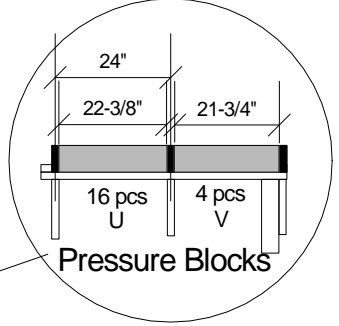




Detail 12 - Wall Section



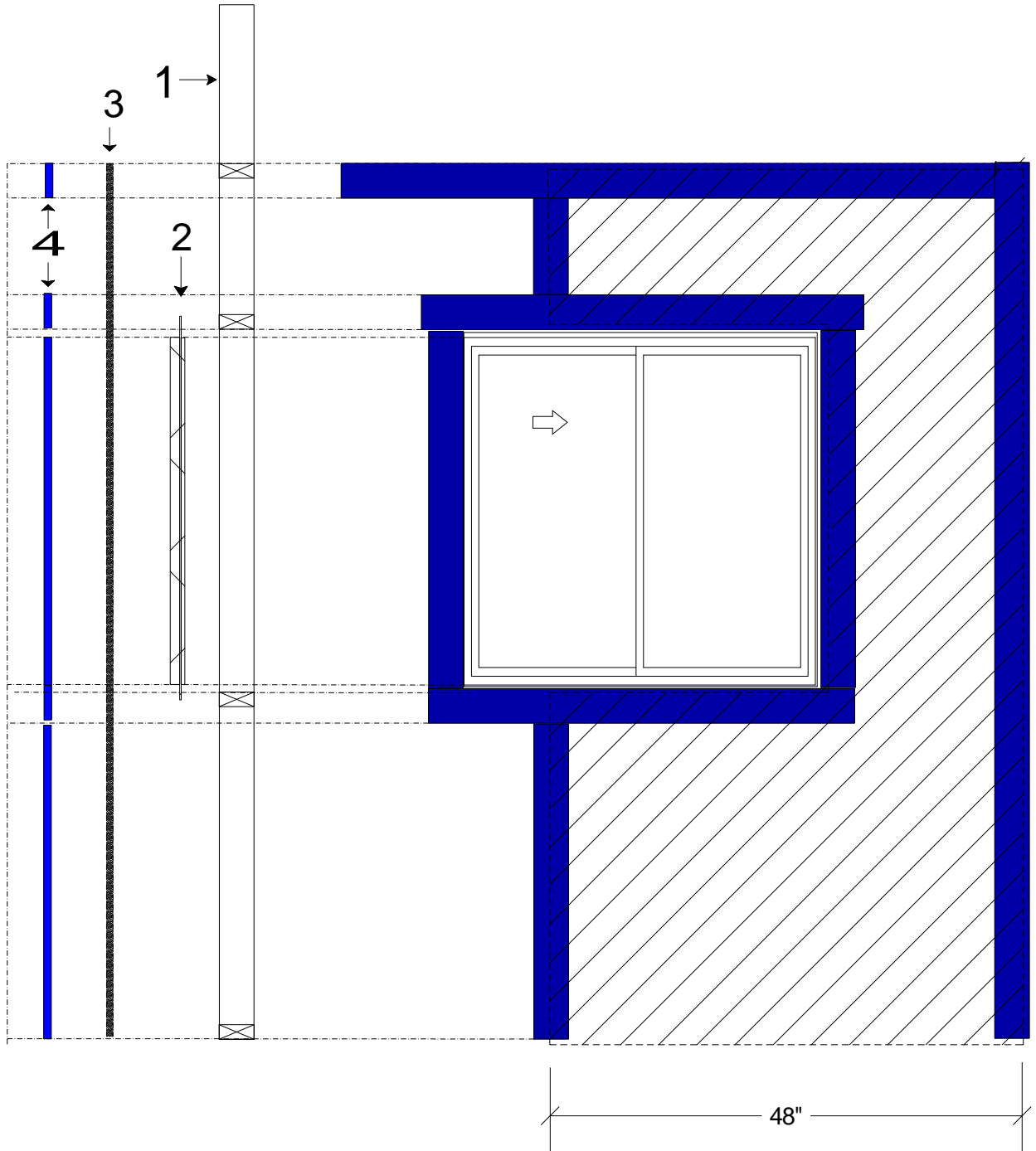
See Cut Sheet for Rafter Details

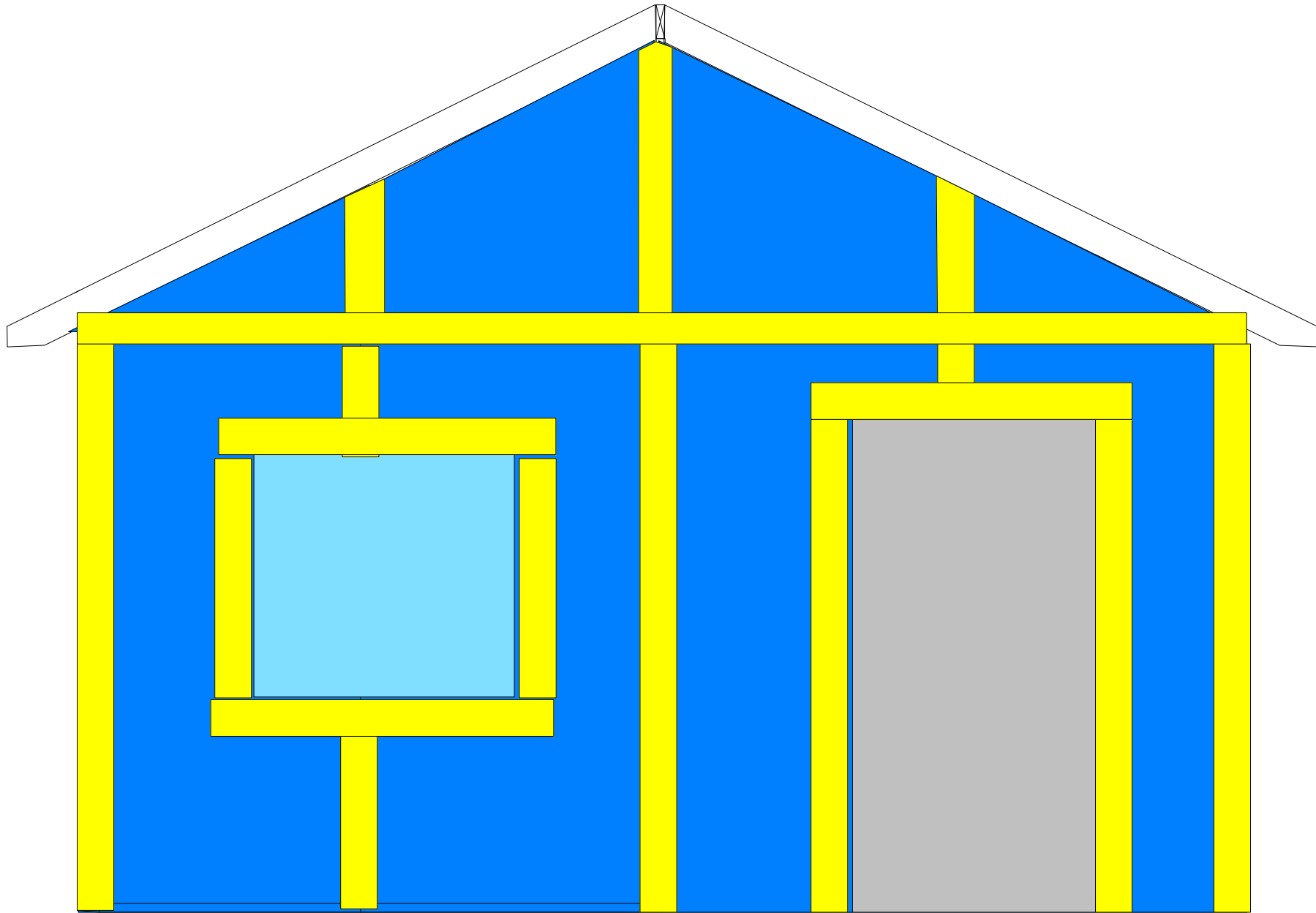


Detail 13 - Roof Plan - Top View

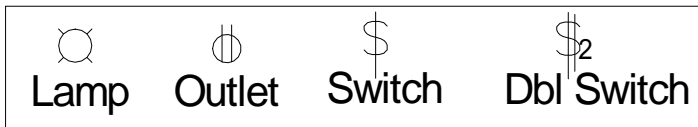
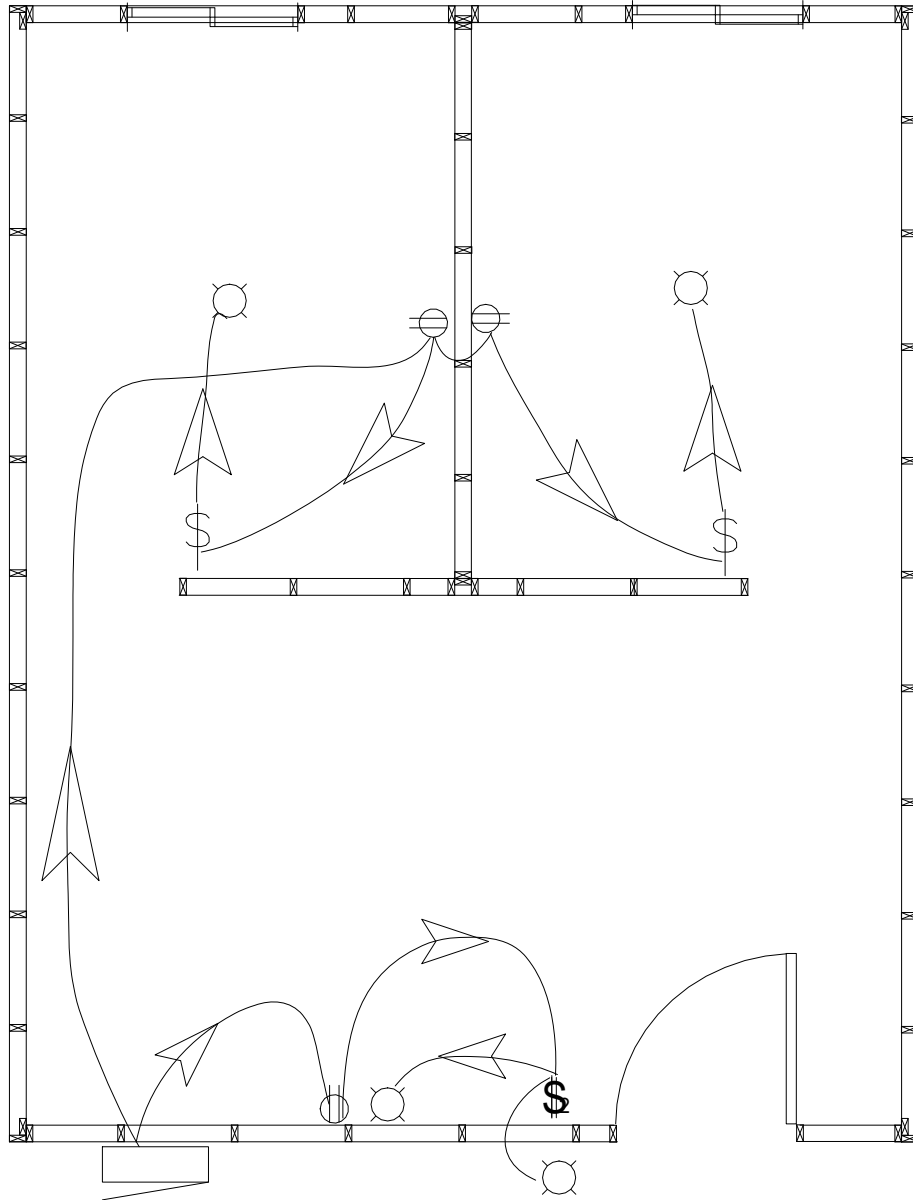
1. Framing First
2. Window Second - 1 Nail each corner
3. Plywood Third
4. Trim Last with caulking around the top and sides

Detail 14 - Window Installation Trim/Sheeting



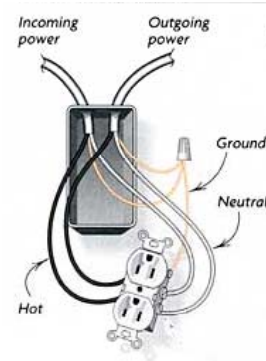


Detail 15 - Typical Trim

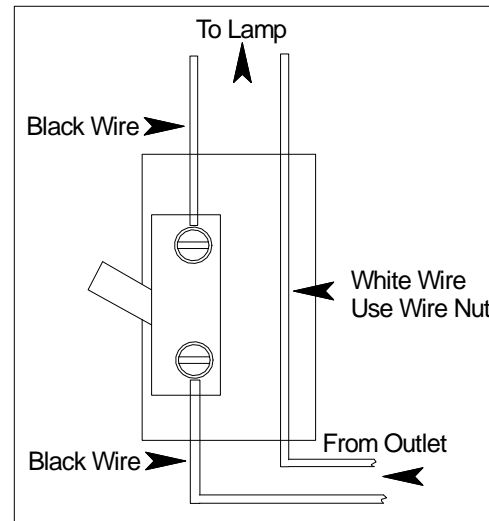
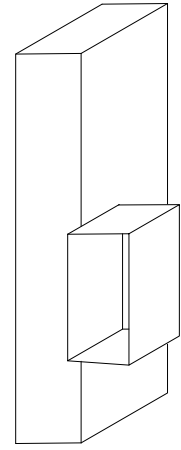


2 Circuits:  
 First one runs to the bedroom outlets  
 then to the switches then to the lamps.

Second one runs to the living room  
 outlet - then to the switch then to the lamps.



Install all outlet &  
 switch boxes  
 1/2" out from stud  
 and 4' - 1/2" above floor.



# Electrical Outline

