

Homesteader's Cabin

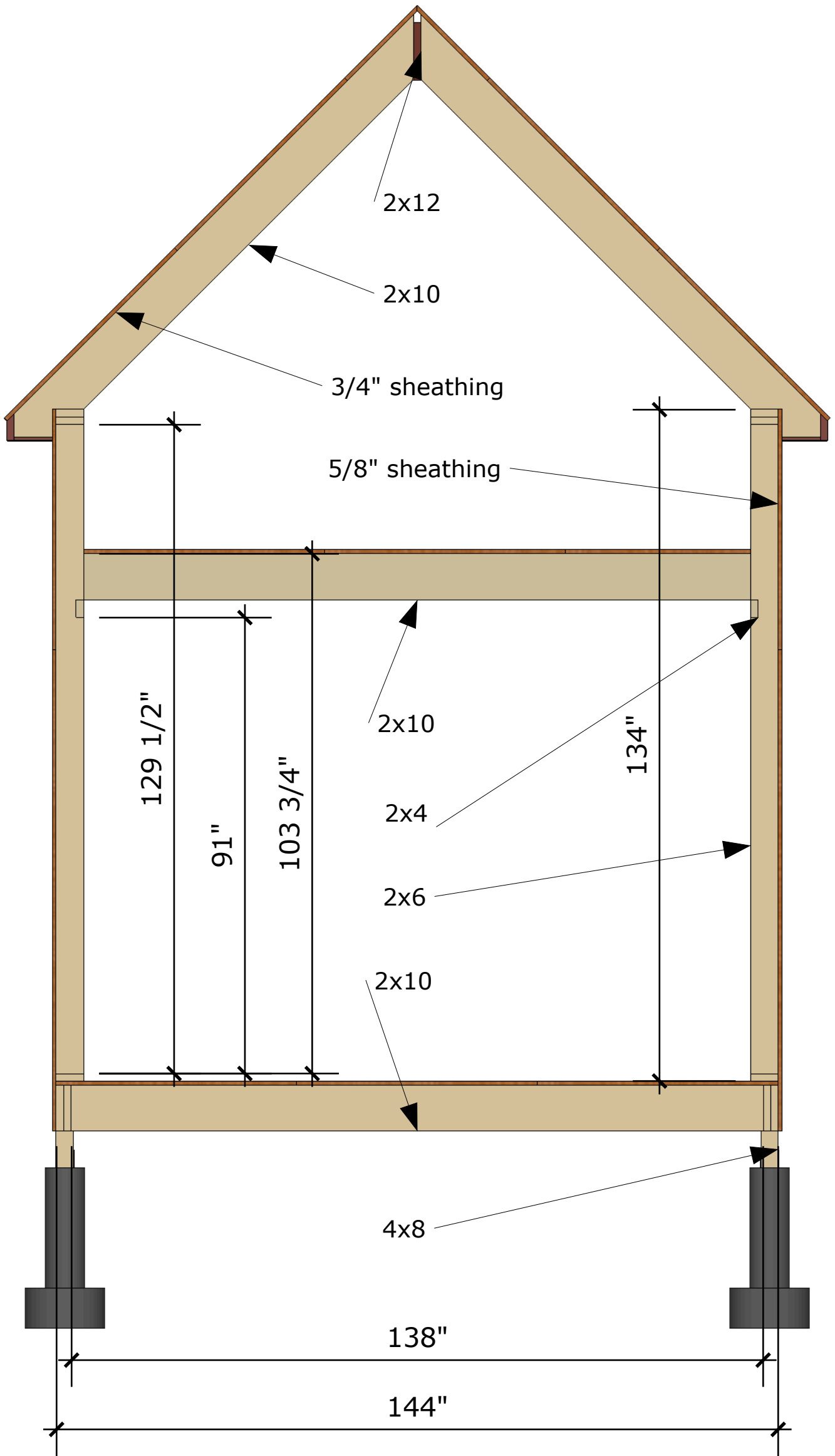
12' x 24' +Loft



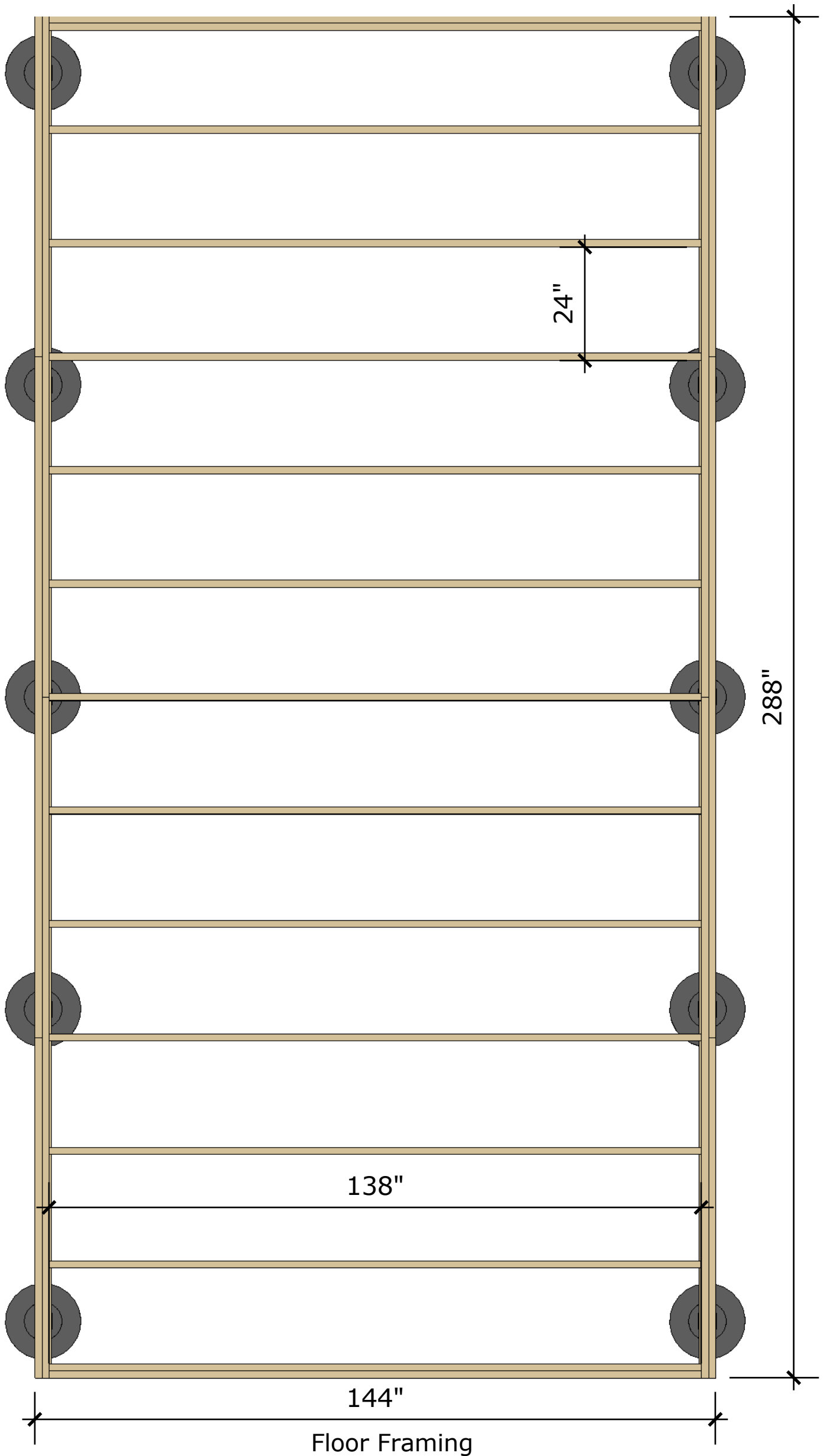
Free Tiny House Plan from TinyHouseDesign.com

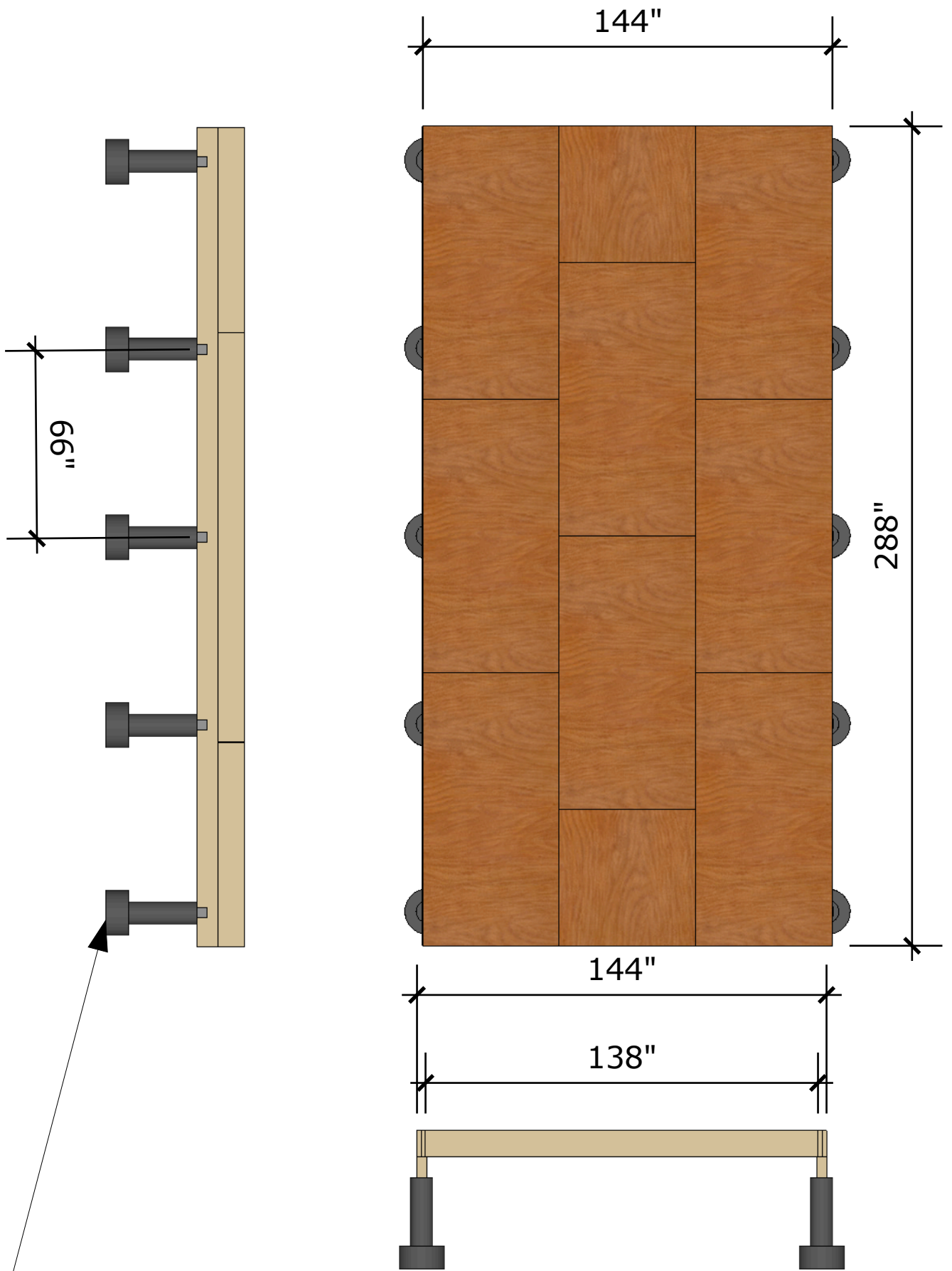
These house plans were not prepared by or checked by a licensed engineer and/or architect. TinyHouseDesign.com does not represent or imply itself to be a licensed engineer and/or a licensed architect. Enjoy these free house plans but use them at your own risk. :-)

House plans licensed under a Creative Commons Attribution-Noncommercial 3.0 United States License
<http://creativecommons.org/licenses/by-nc/3.0/us/>



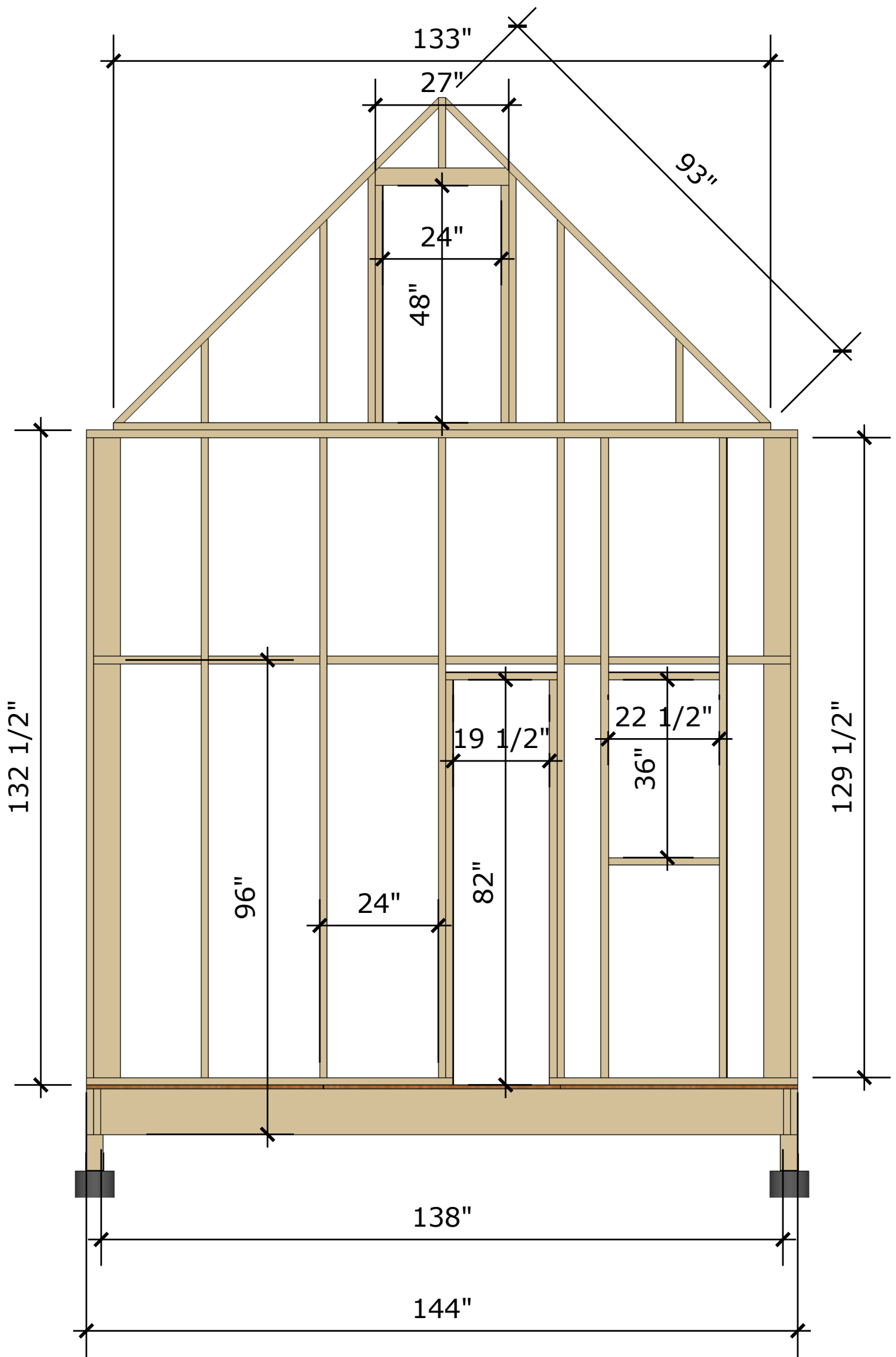
Cross Section



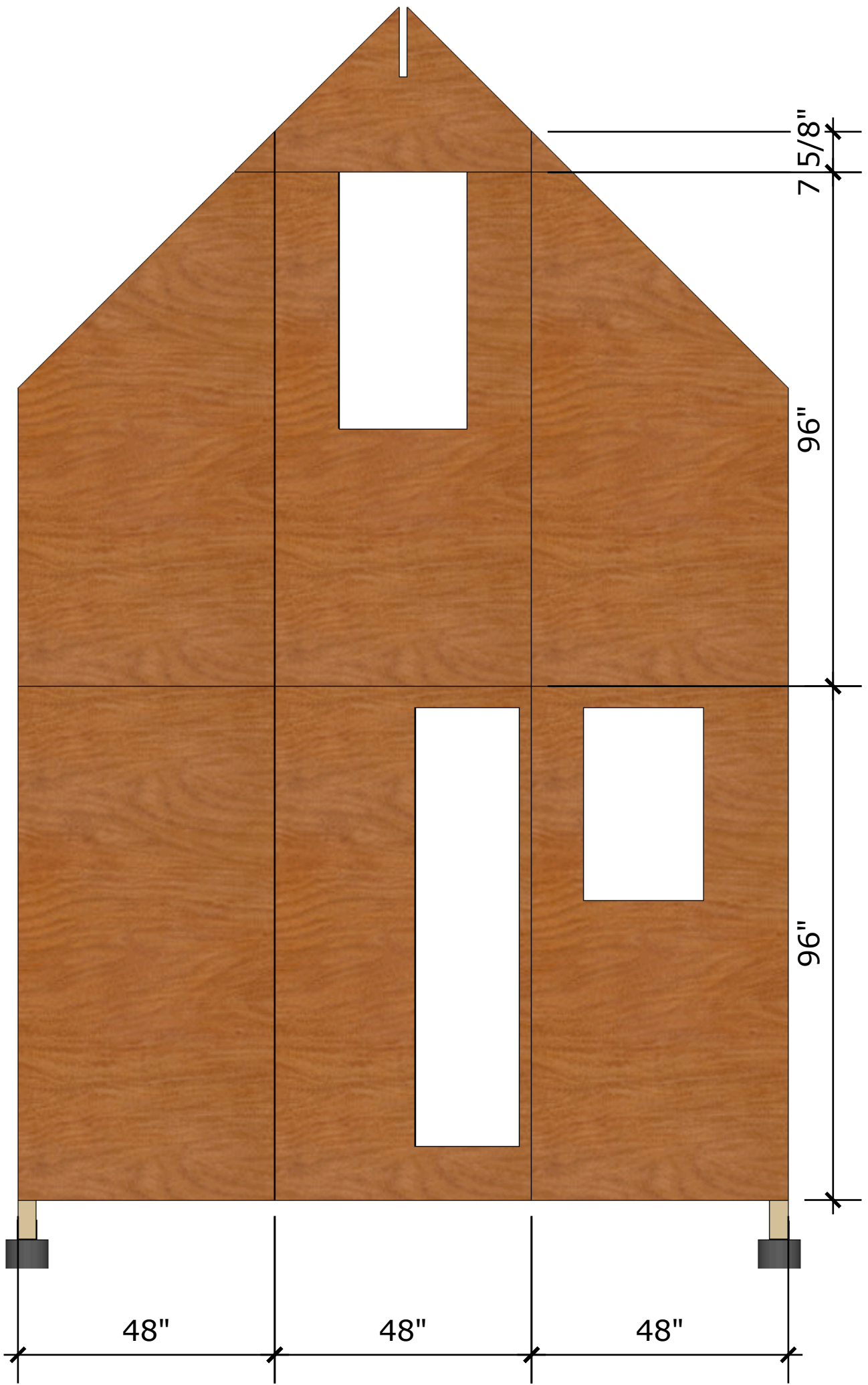


Choose a foundation suitable to your local conditions and codes.

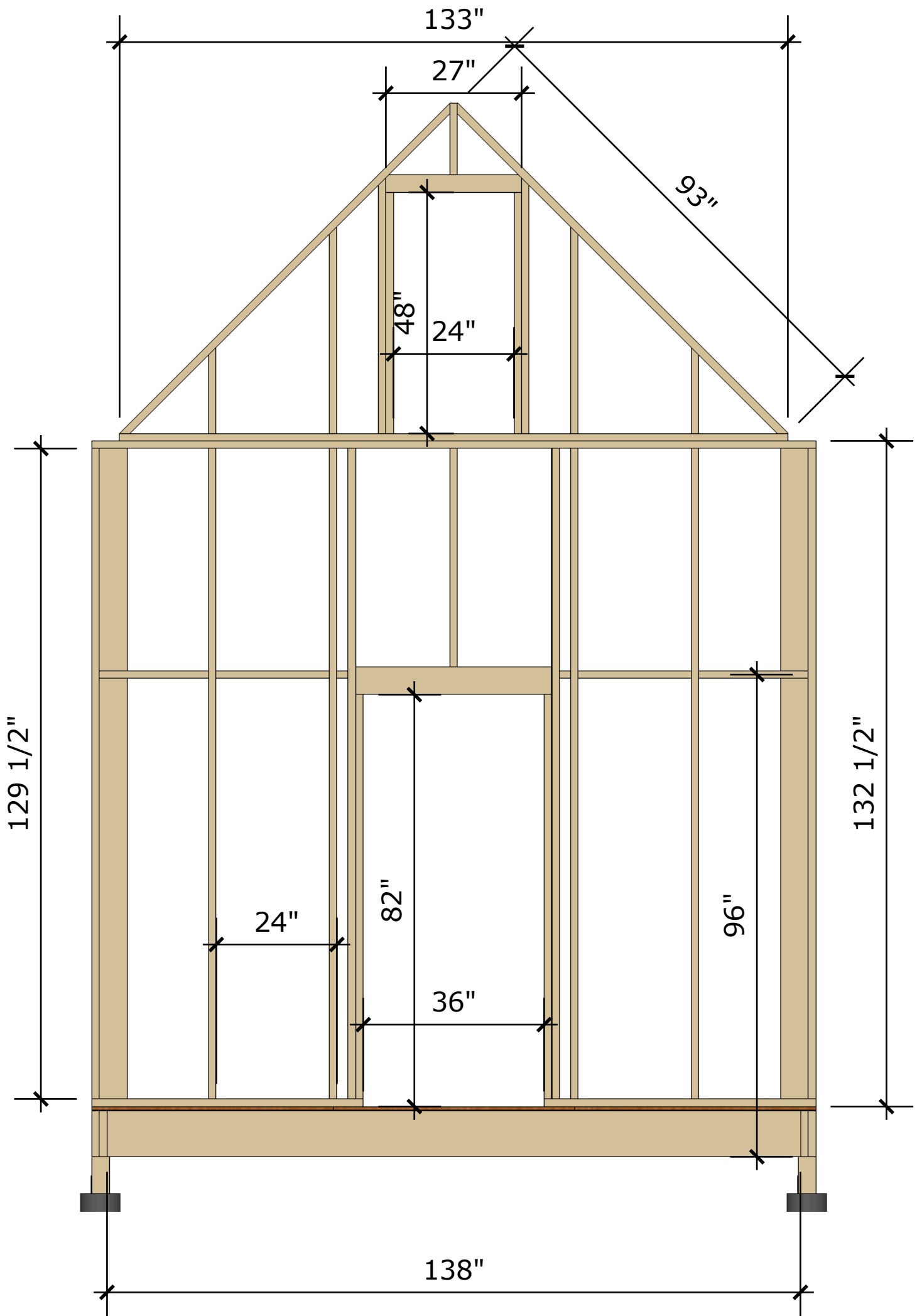
Floor Framing and Sheathing



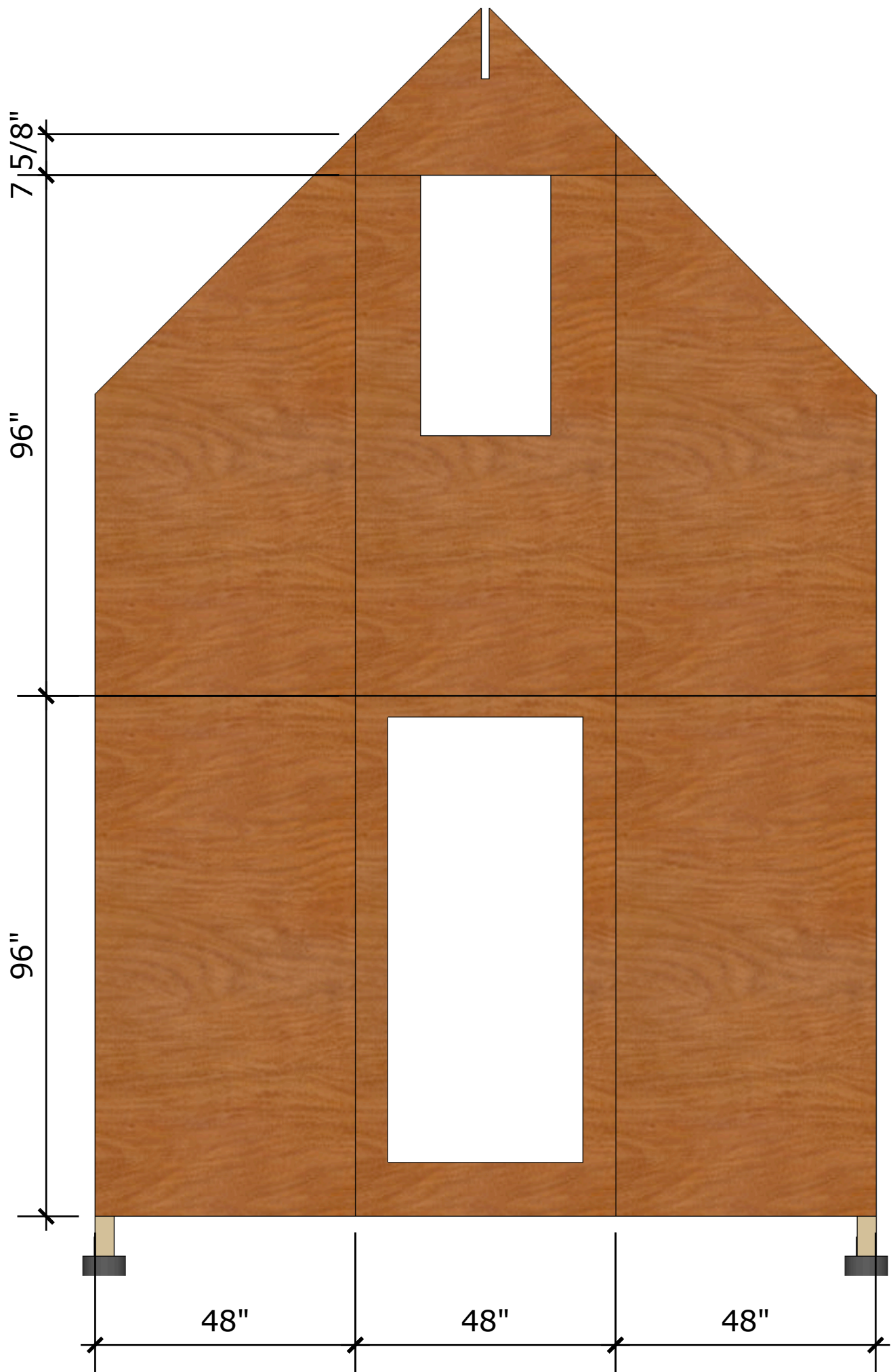
Back Wall Framing



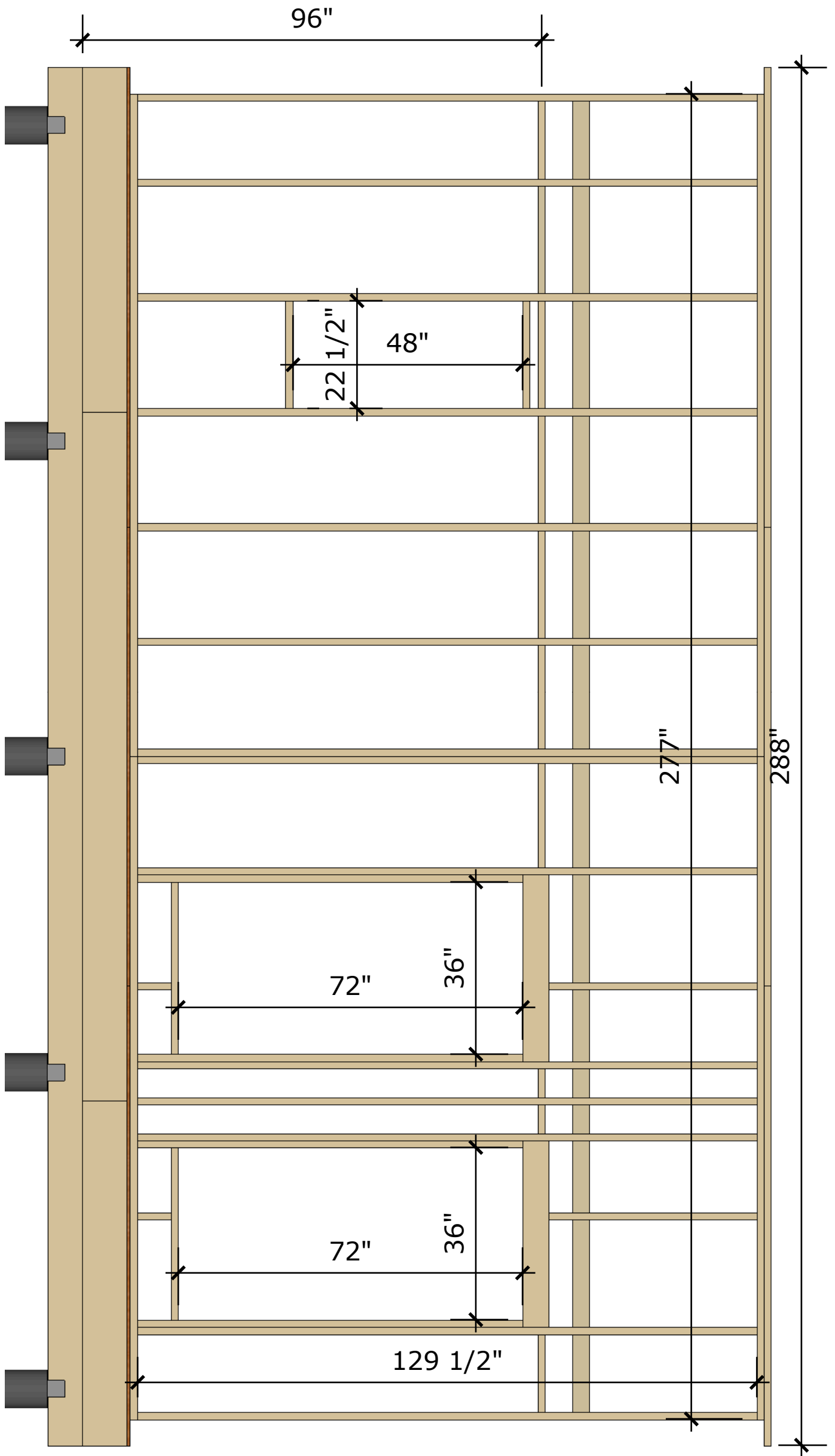
Back Wall Sheathing



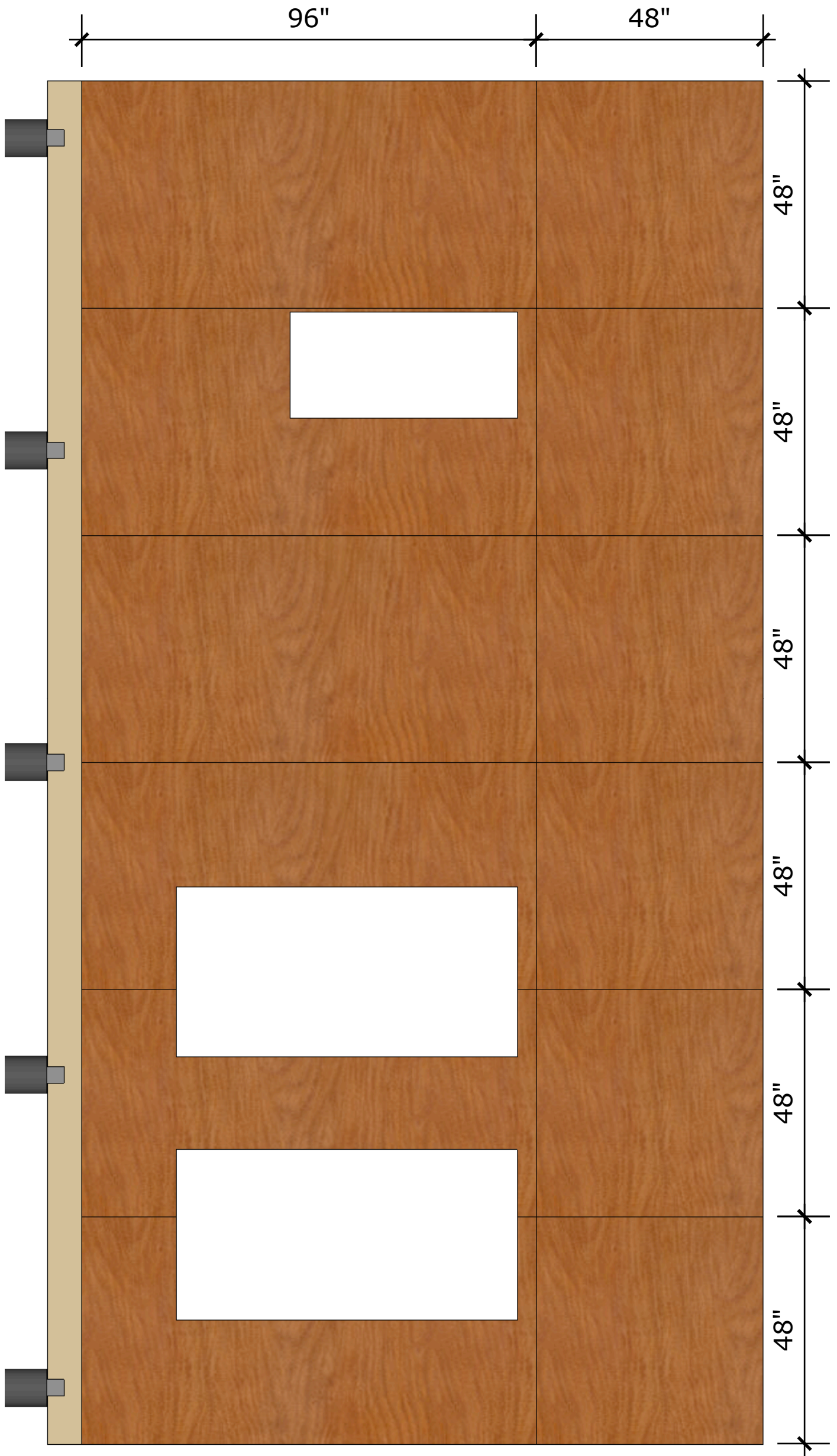
Front Wall Framing



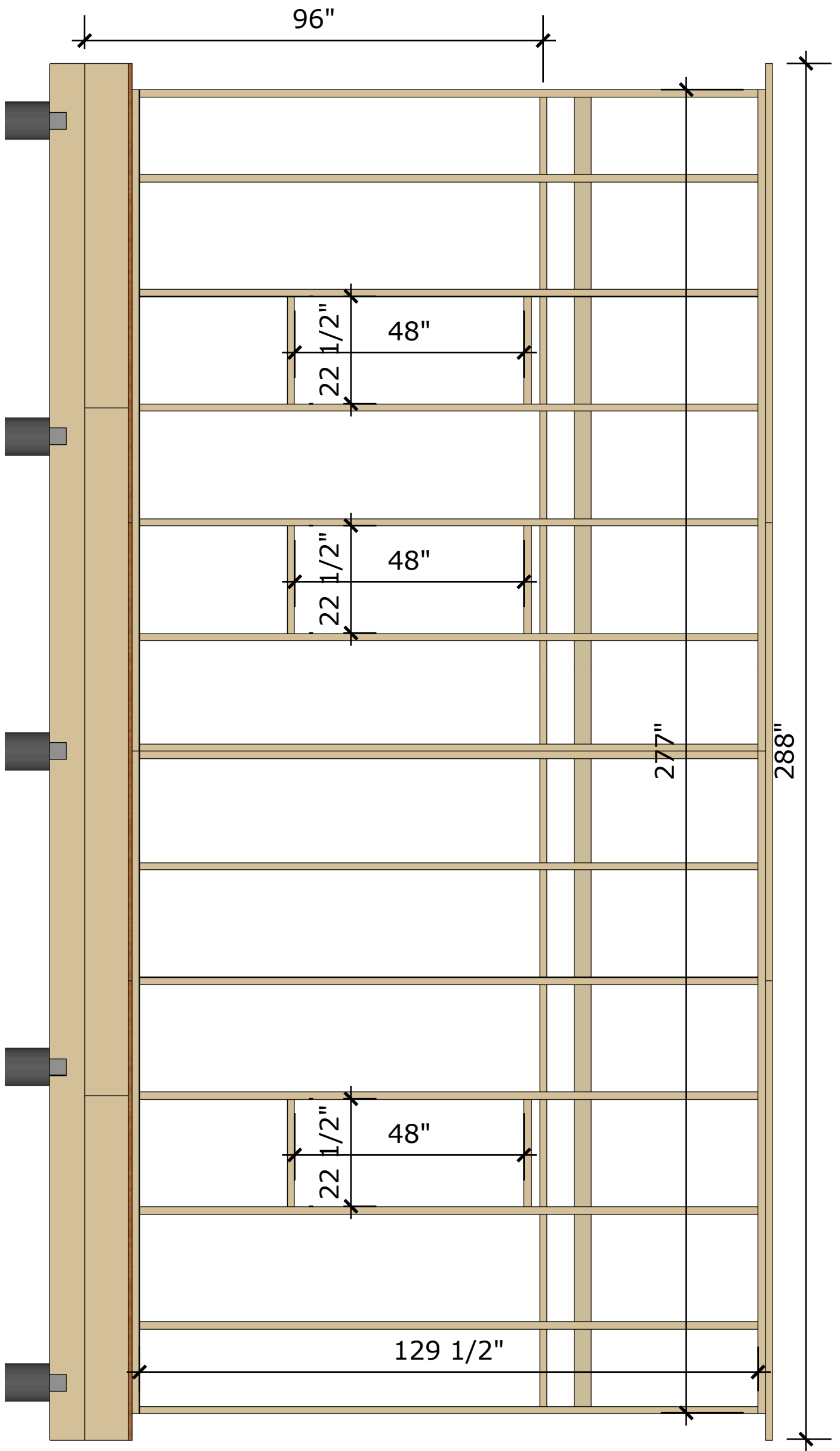
Front Wall Sheathing



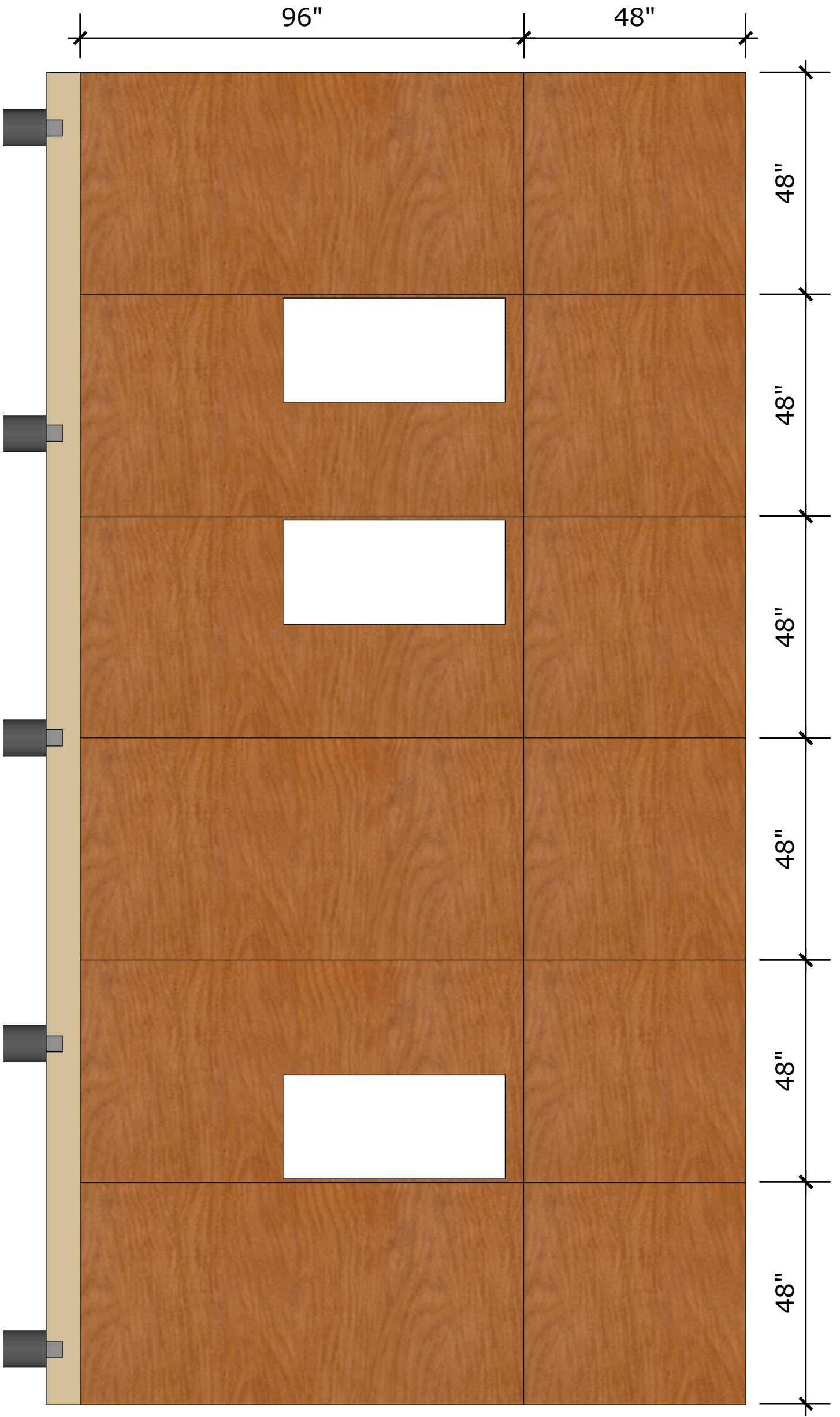
Left Wall Framing



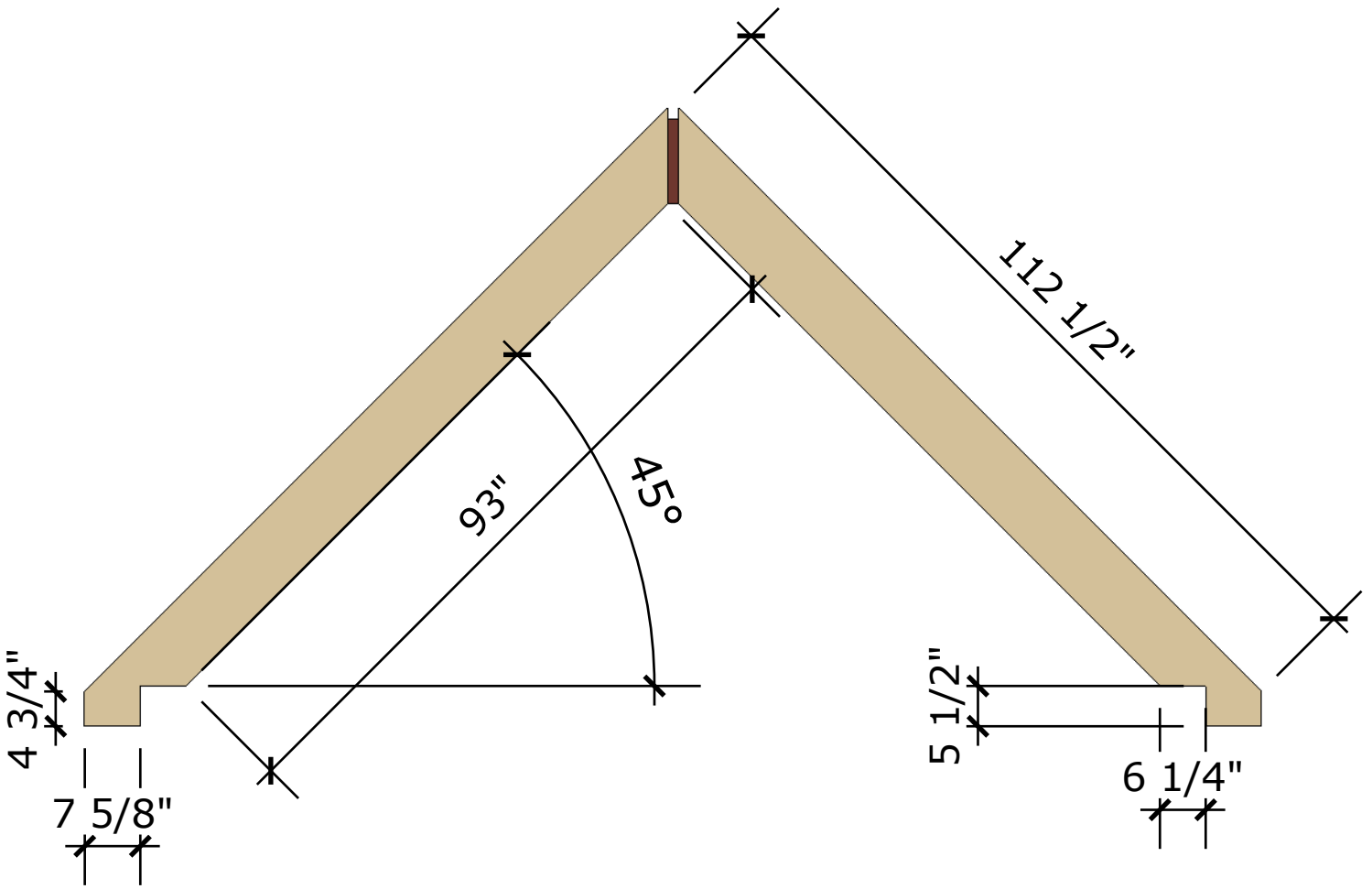
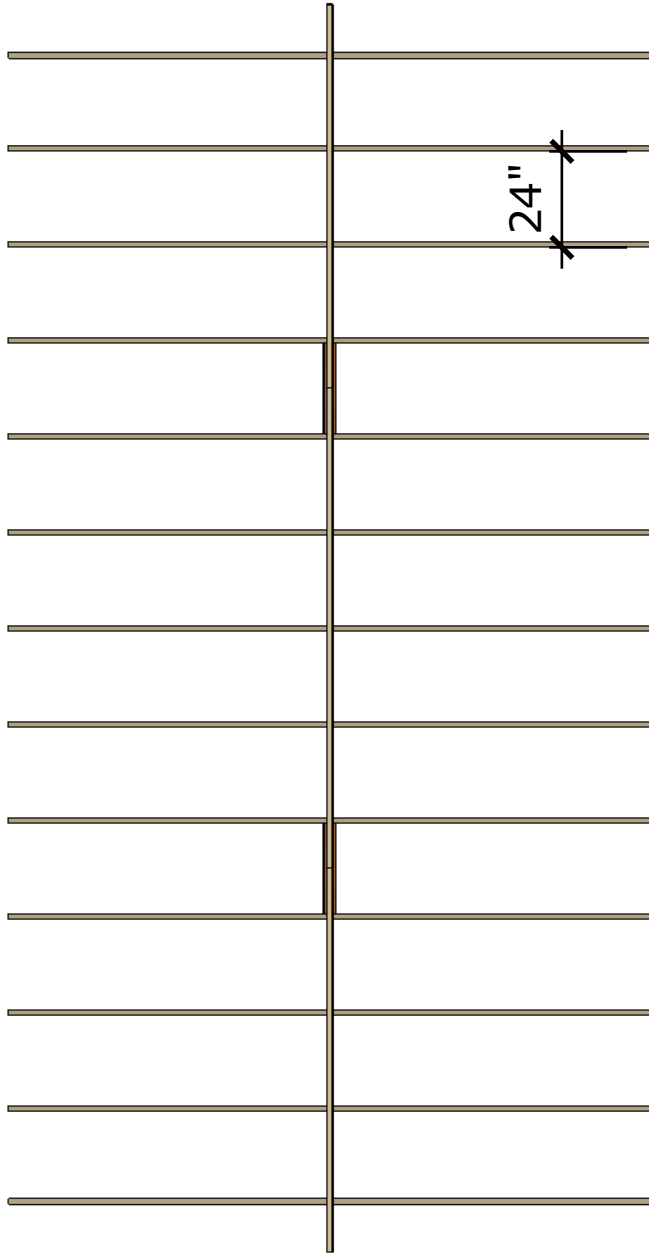
Left Wall Sheathing



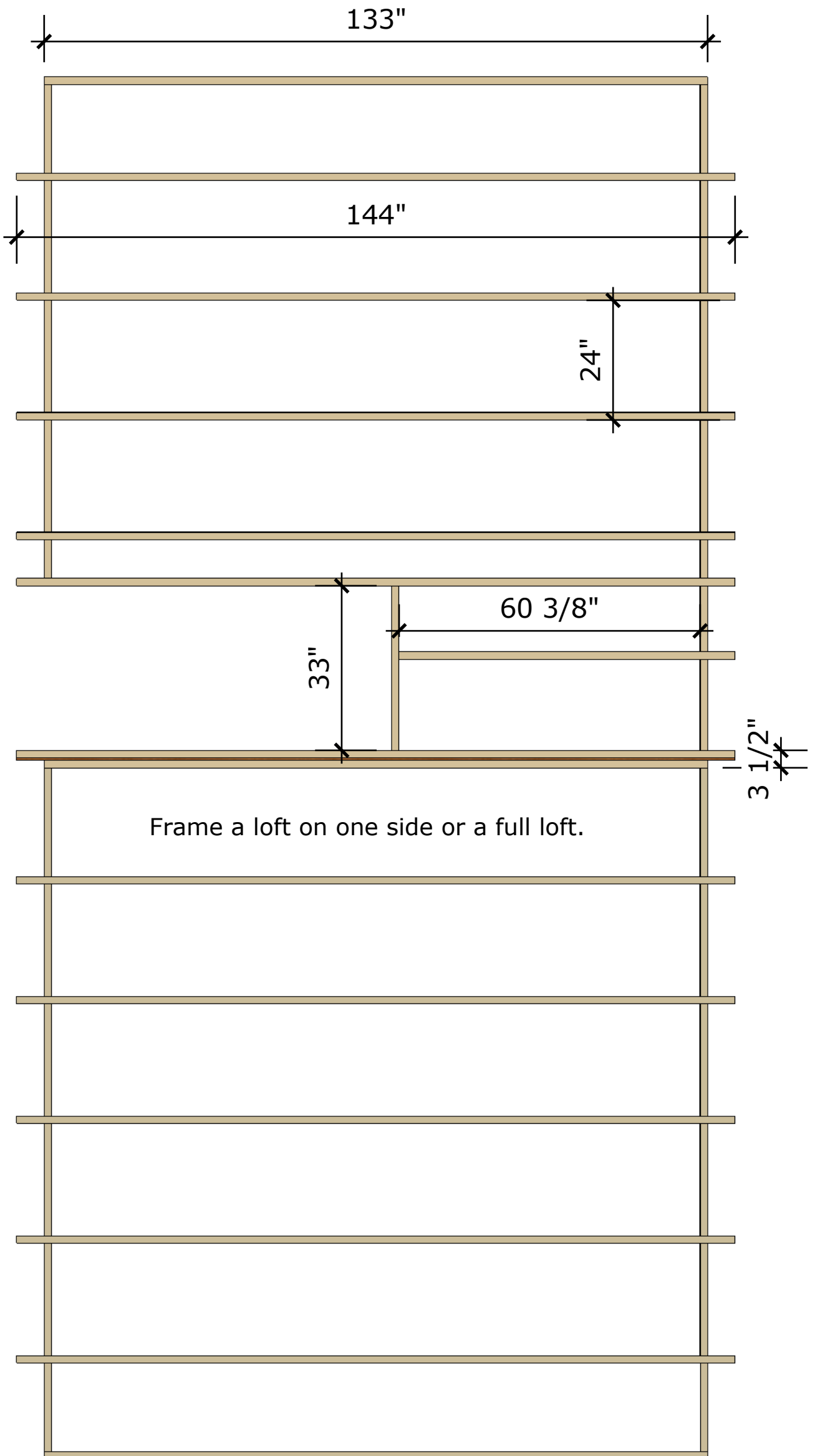
Right Wall Framing



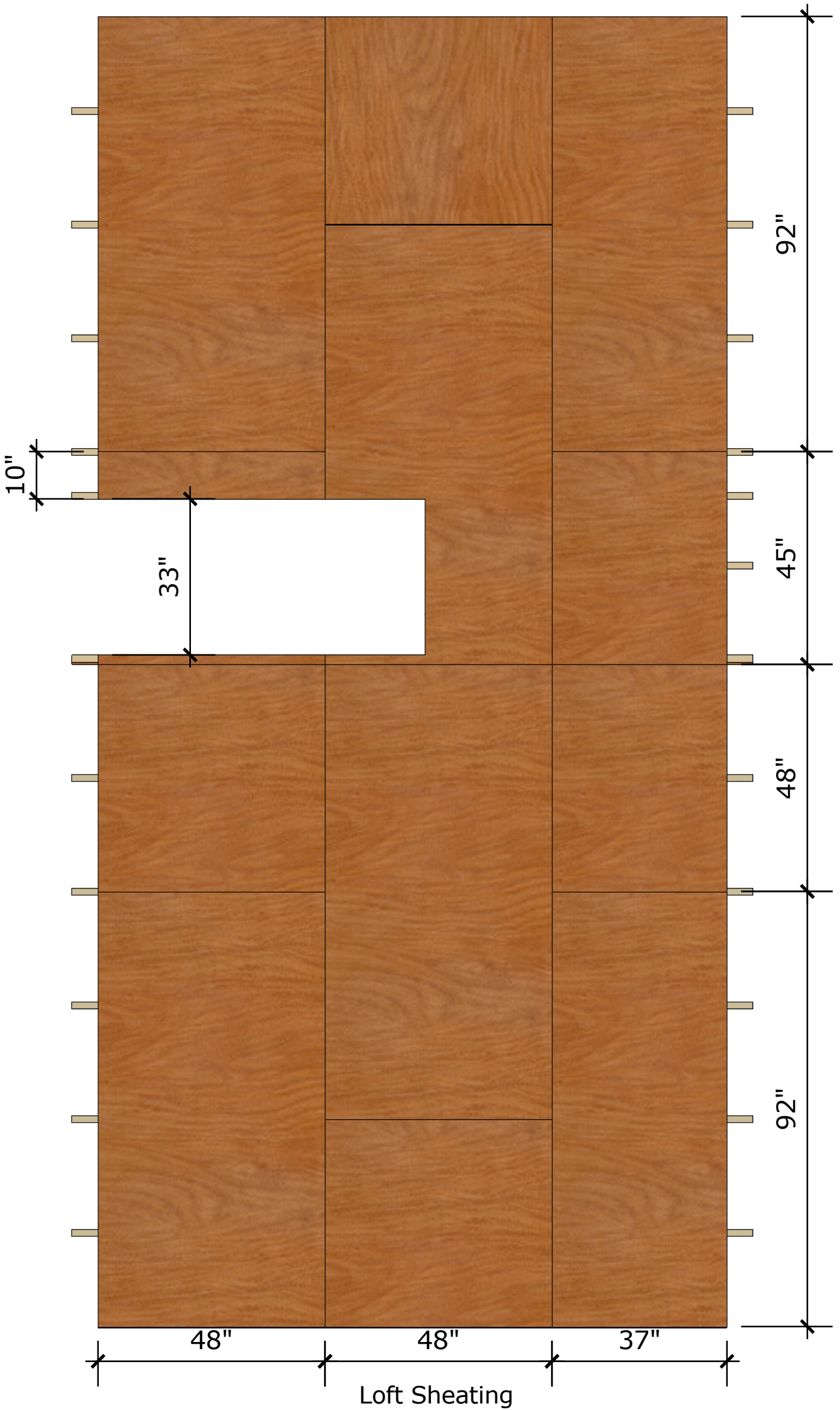
Right Wall Framing



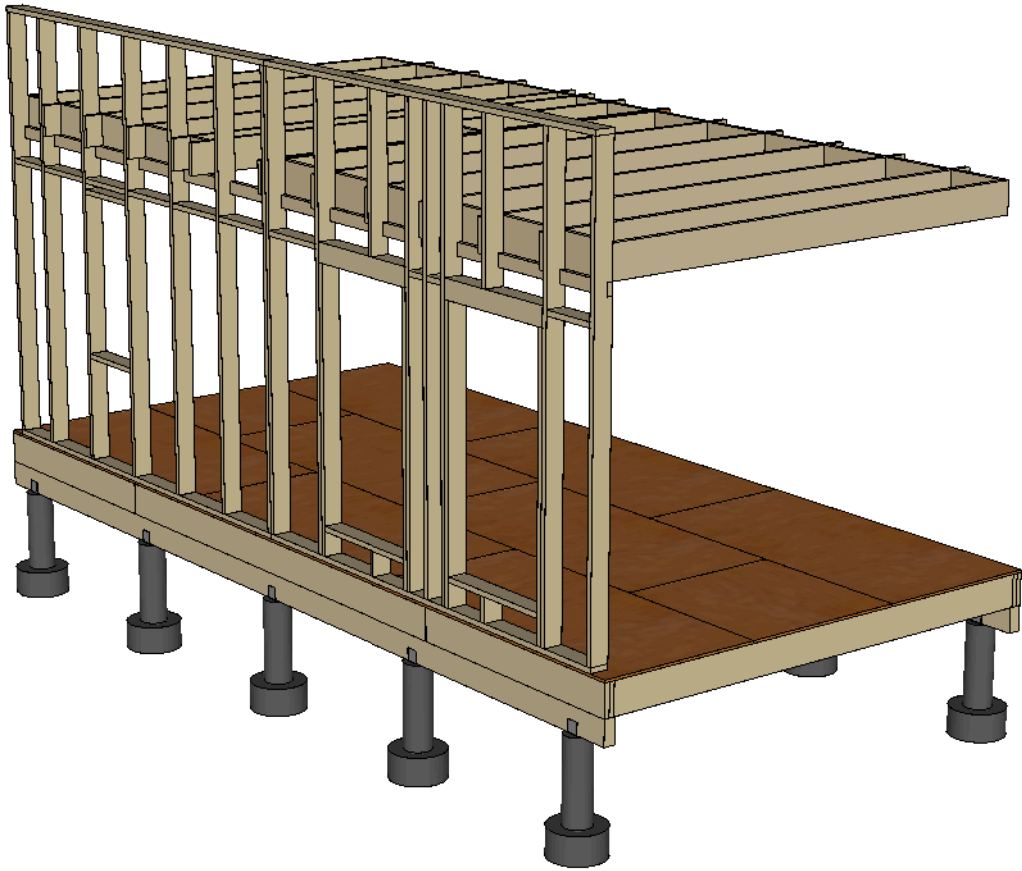
Roof Framing



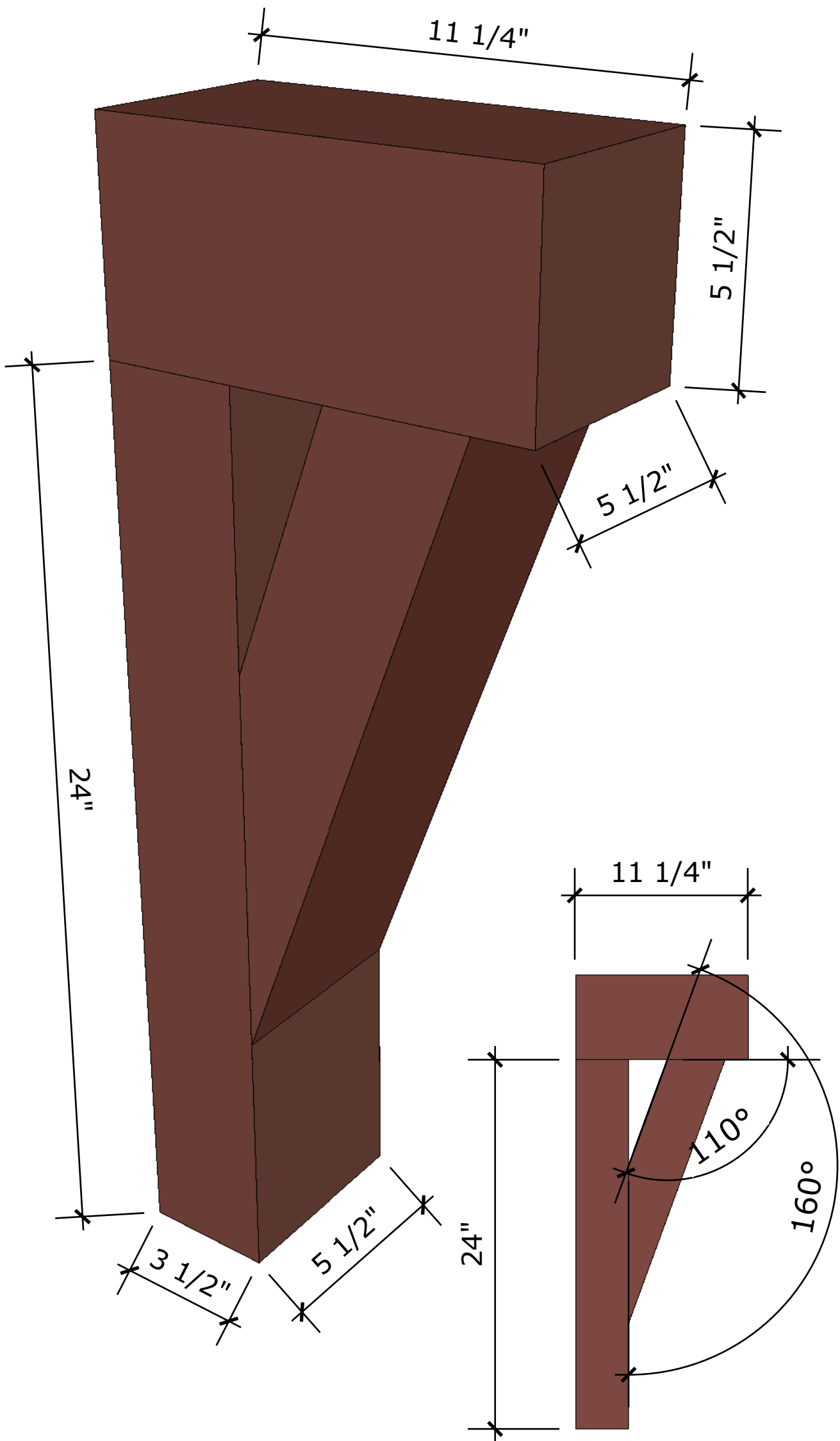
Loft Framing



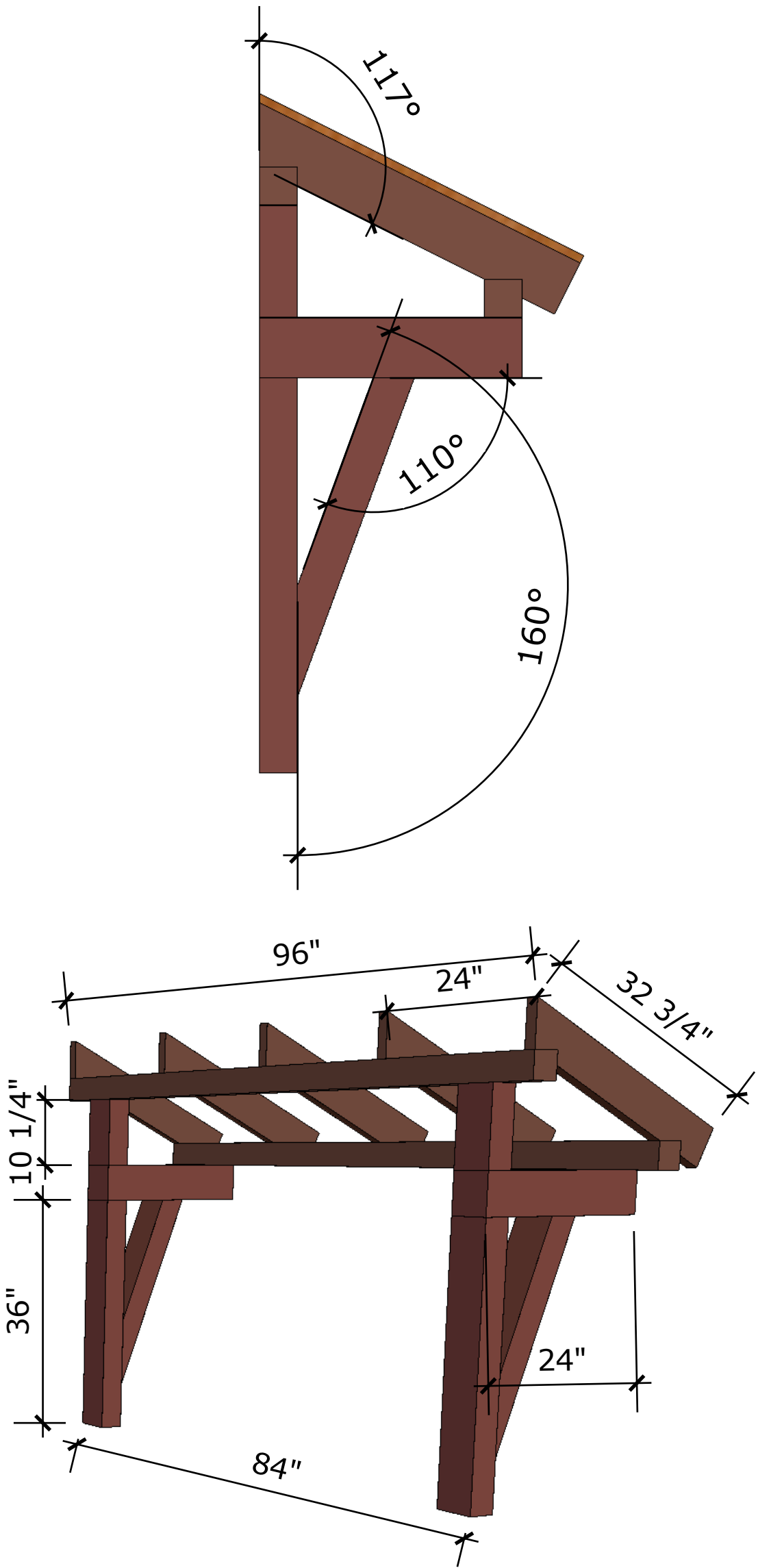
Loft Sheathing



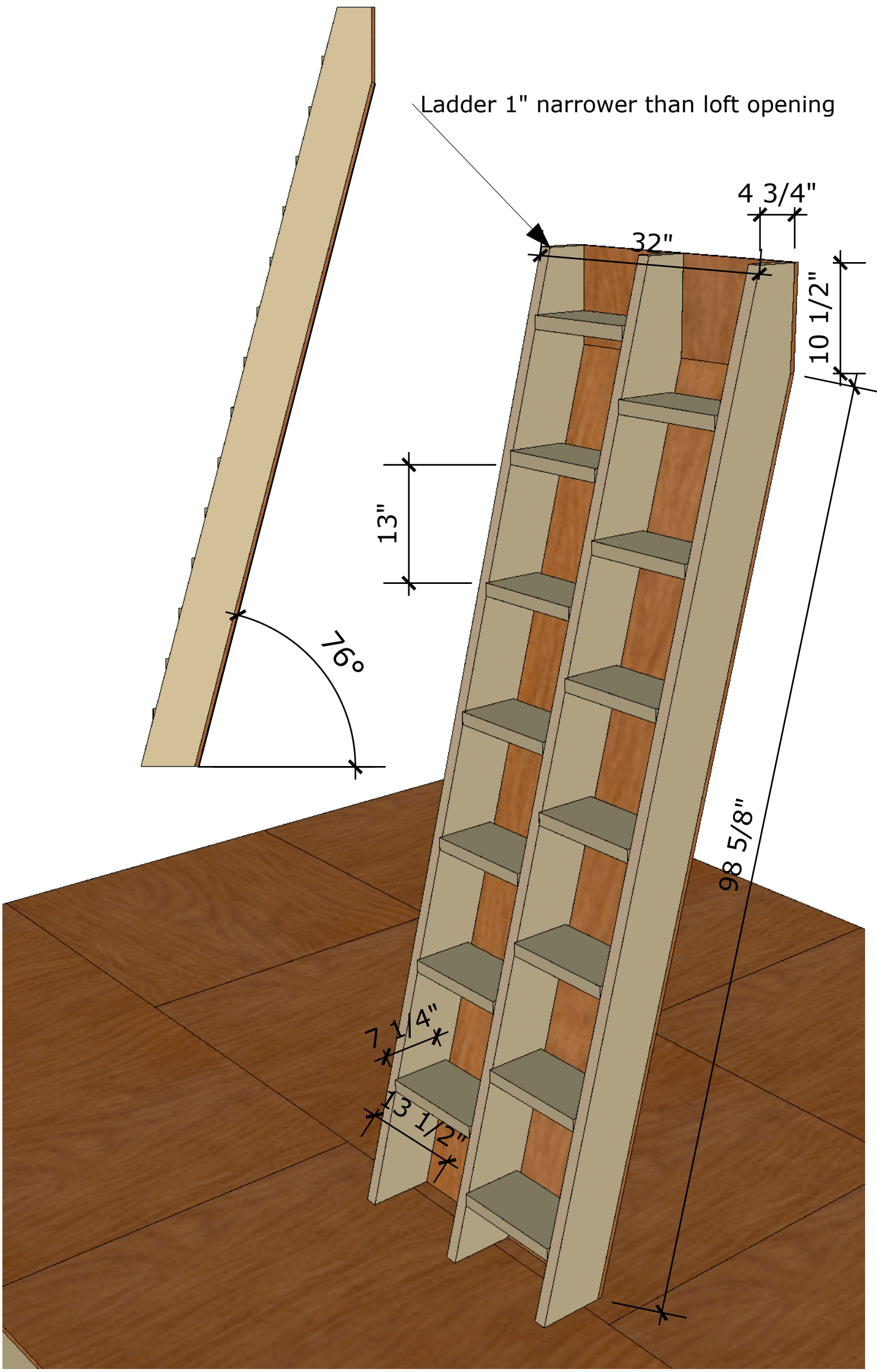
Loft Connects to Wall



Decorative Eave Support Detail



Porch Framing



Alternating Step Ladder







For more free tiny house plans visit:
<http://www.tinyhousedesign.com/ebook/free-plans/>