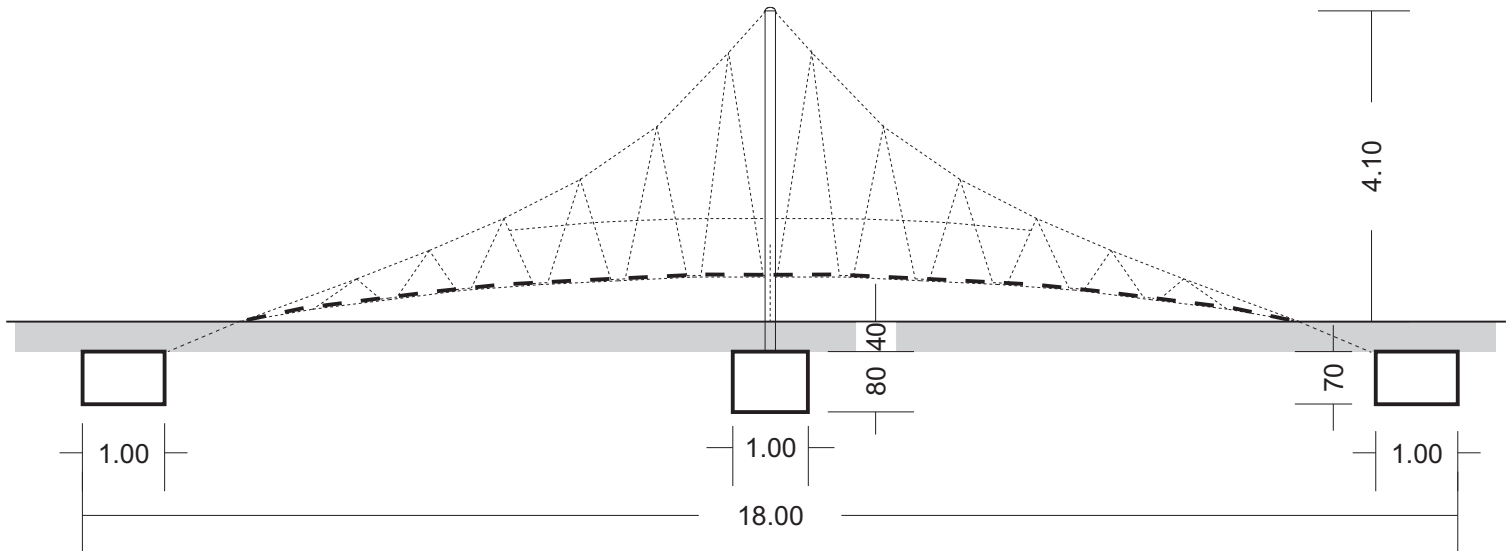
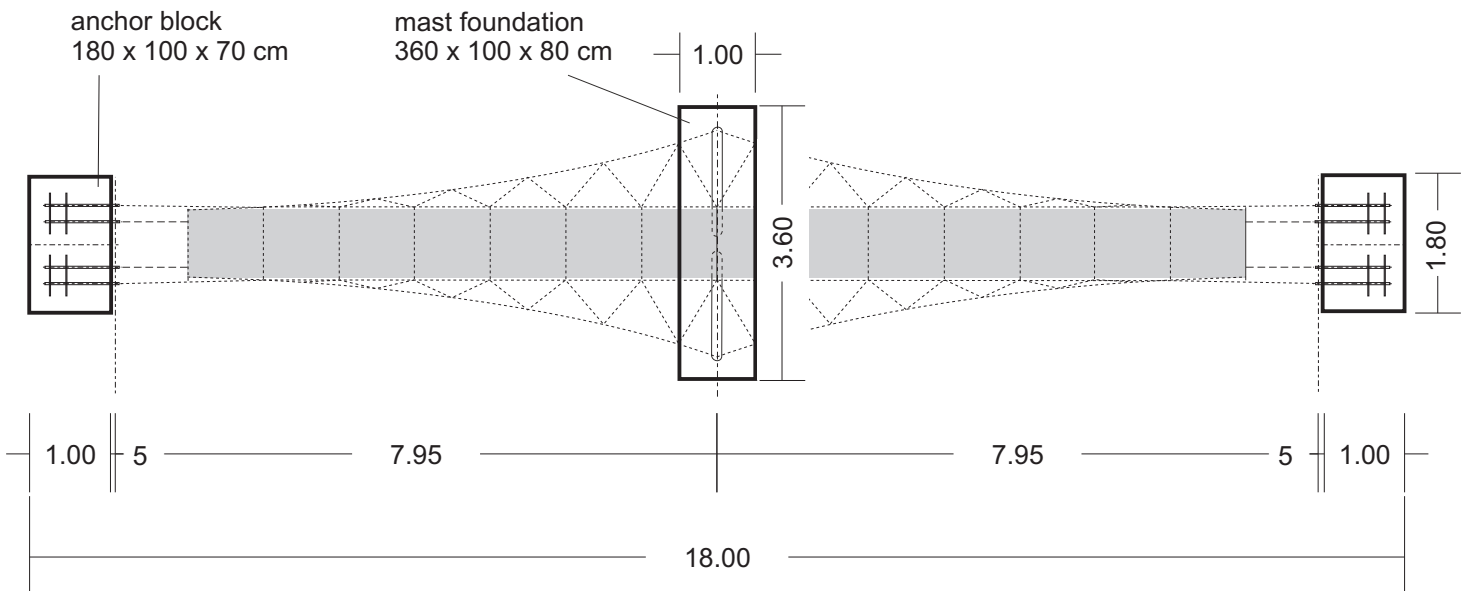


Foundation plan

Section drawing



Ground plan



Scale 1 : 100

Quality of concrete : C 25/30 (B 25)

The notes to the foundation plan are to be observed!

Please ask for current standards.