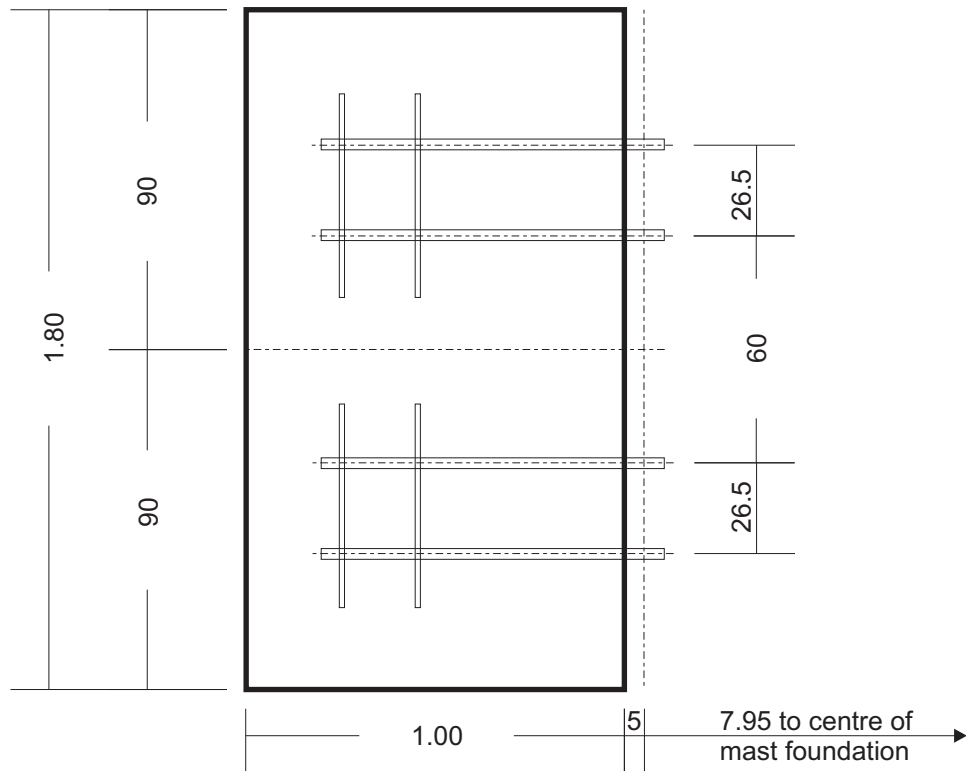
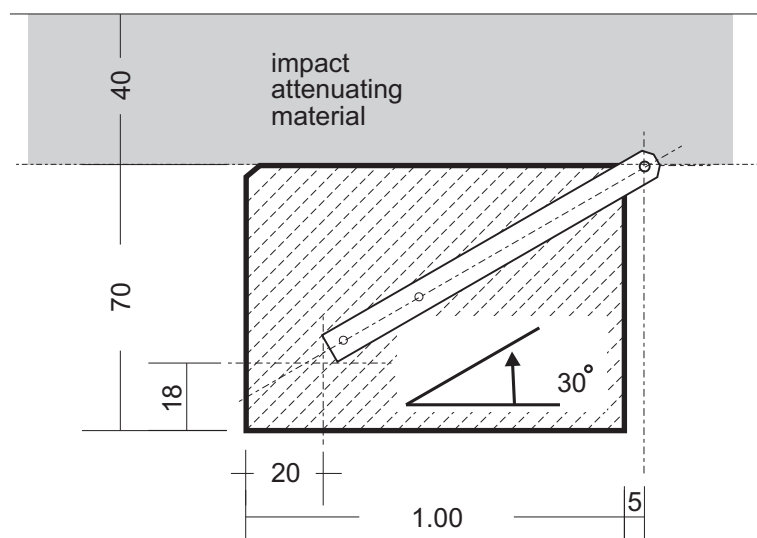


Detail plan for anchor block

Ground plan



Section drawing



Scale 1 : 20

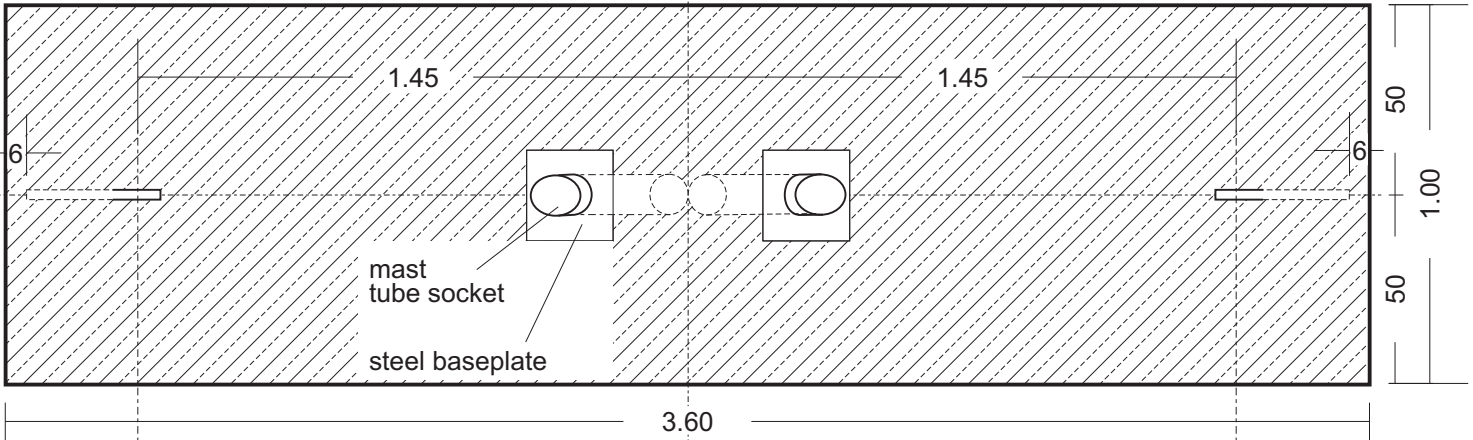
Quality of concrete : C 25/30 (B 25)

The notes to the foundation plan are to be observed!

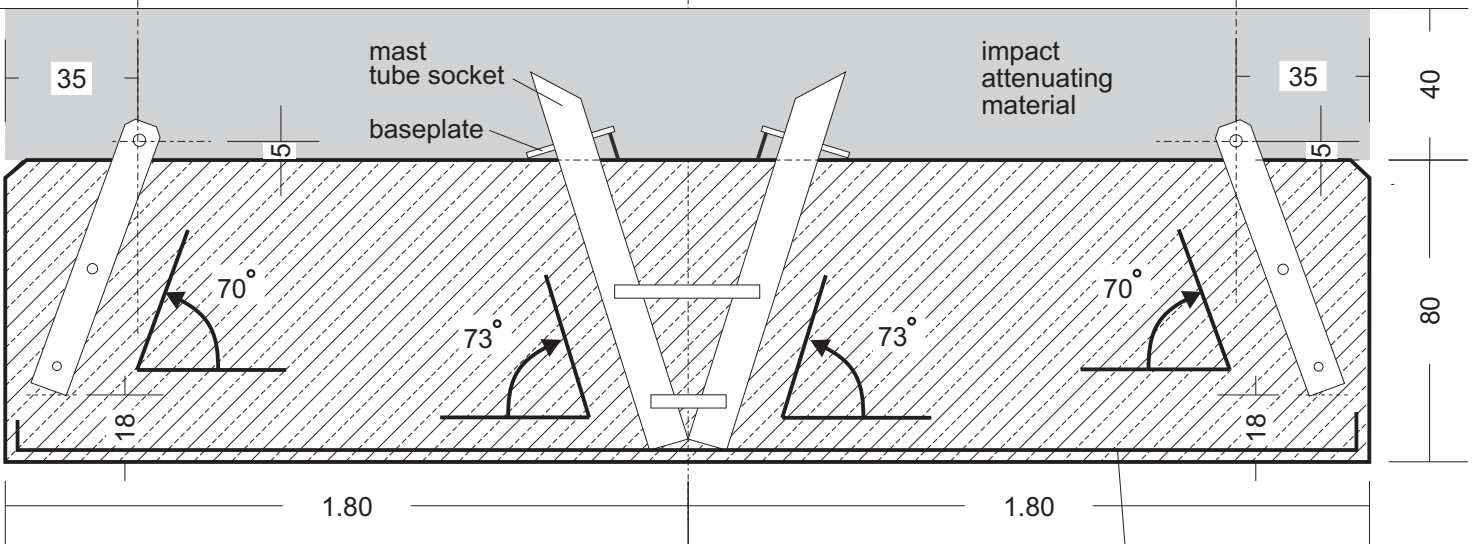
Please ask for current standards.

Detail plan for mast foundation

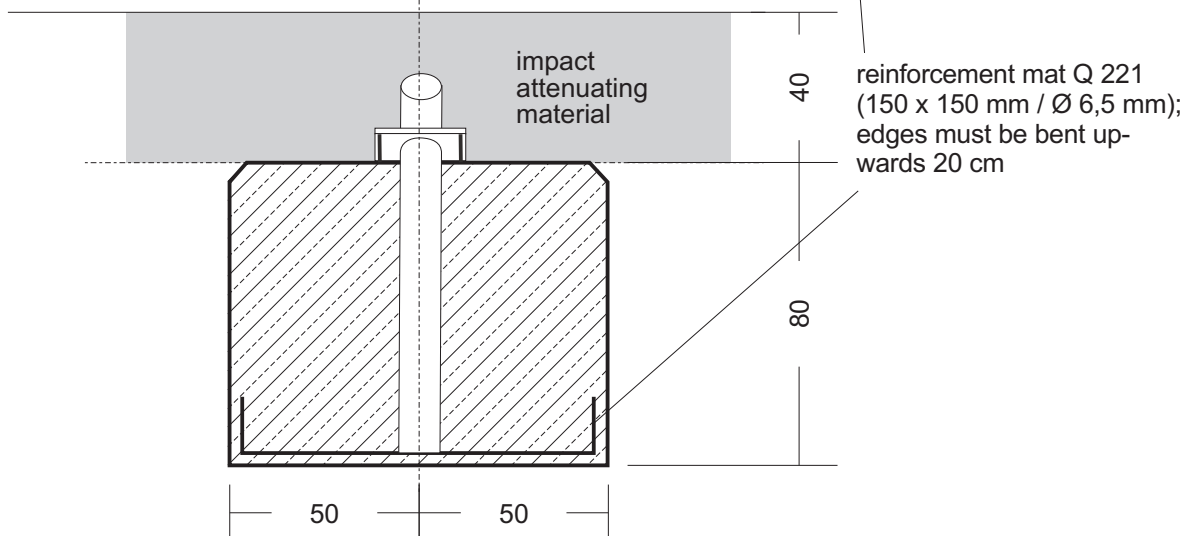
Ground plan



Longitudinal section



Cross section



Scale 1 : 20
 Quality of concrete : C 25/30 (B 25)
 The notes to the foundation plan are to be observed!
 Please ask for current standards.